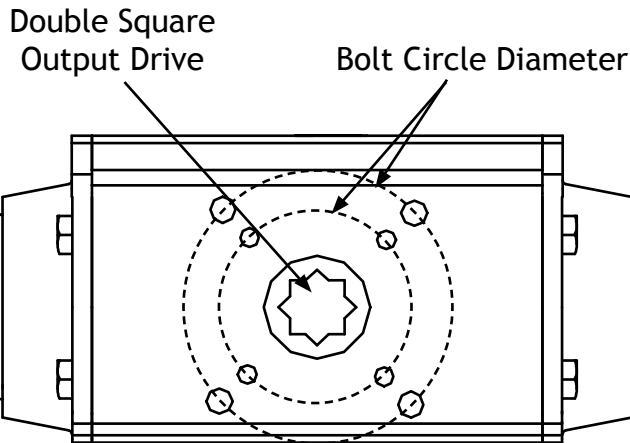


ACTUATOR MOUNTING 101

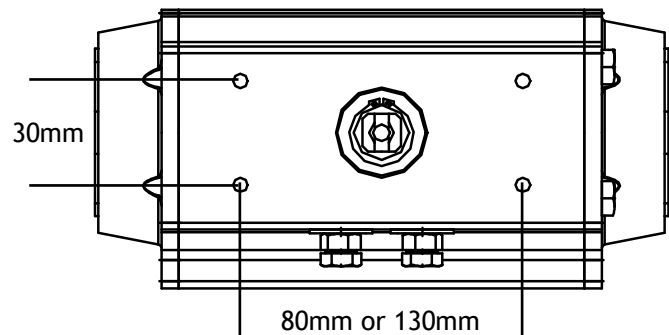
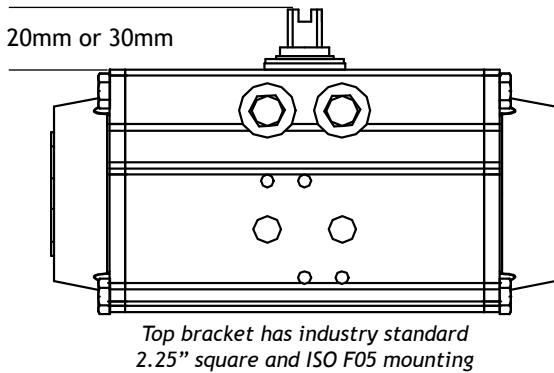
VALVE SIDE MOUNTING




ISO Mounting Pattern	Bolt Circle Diameter		Square Output	
	mm	in.	mm	in.
F03	36	1.42	9	.35
F04	42	1.65	11	.43
F05	50	1.97	14	.55
F07	70	2.76	17	.67
F10	102	4.02	22	.87
F12	125	4.92	27	1.06
F14	140	5.51	36	1.42
F16	165	6.50	46	1.81

Other drive options include: keyed, double D (round with 2 flats), or a blank drive bushing.

MOUNTING FOR LIMIT SWITCHES AND POSITIONERS





Bracket Dimensions

(height x length x width)

- 20mm x 80mm x 30mm (BI-TORQ# SS LS BRCKT #1)
- 30mm x 130mm x 30mm BI-TORQ# SS LS BRCKT #3)
- 30mm x 80mm x 30mm (BI-TORQ# SS LS BRCKT #3)