

**CAB AND XAB LIMIT SWITCH BOXES**



CAB SERIES  
NEMA 4/4X



XAB SERIES  
NEMA 7/9

- **COMPACT, COST-EFFICIENT, LOW PROFILE LIMIT SWITCHES FOR BOTH LOCAL AND REMOTE INDICATION OF VALVE AND/OR ACTUATOR POSITION**
- **WIDE VARIETY OF SWITCH OPTIONS (SPDT, PROXIMITY AND MORE)**
- **UL AND CENELEC APPROVED (CE OR ATEX APPROVALS UPON REQUEST)**
- **NEMA 4, 4X, 7 AND 9**
- **STANDARD SS MOUNTING BRACKET**

**STANDARD FEATURES**

**HEAVY DUTY ENCLOSURE:**  
epoxy coated aluminum housing

**INDICATION:**  
high visibility 3D dome

**SWITCH OPTIONS:**  
SPDT or DPDT mechanical  
SPST or SPDT proximity  
(bifurcated versions available)  
Inductive type

**NAMUR MOUNTING:**  
complete with SS bracket to mount to all NAMUR style actuators

**PRE-WIRED PCB MODULES:**  
Switches are factory wired to printed circuit boards to simplify installation and maintenance while eliminating the need for a separate junction box

**EASY SET CAMS:**  
The tool-free design uses splined, spring loaded and independently adjustable cams

**MULTIPLE CONDUIT ENTRIES:**  
Two 1/2" conduit entries are standard, with optional 3rd entry available

**OPTIONAL EQUIPMENT**

- **DRIBBLE CONTROL:**  
ideal for filling applications and 3-position control
- **4-20mA FEED BACK TRANSMITTER**  
for 4-20mA confirmation of valve position
- **AS-I DIGITAL COMMUNICATION INTERFACE CARD**  
2-wire digital communication wiring

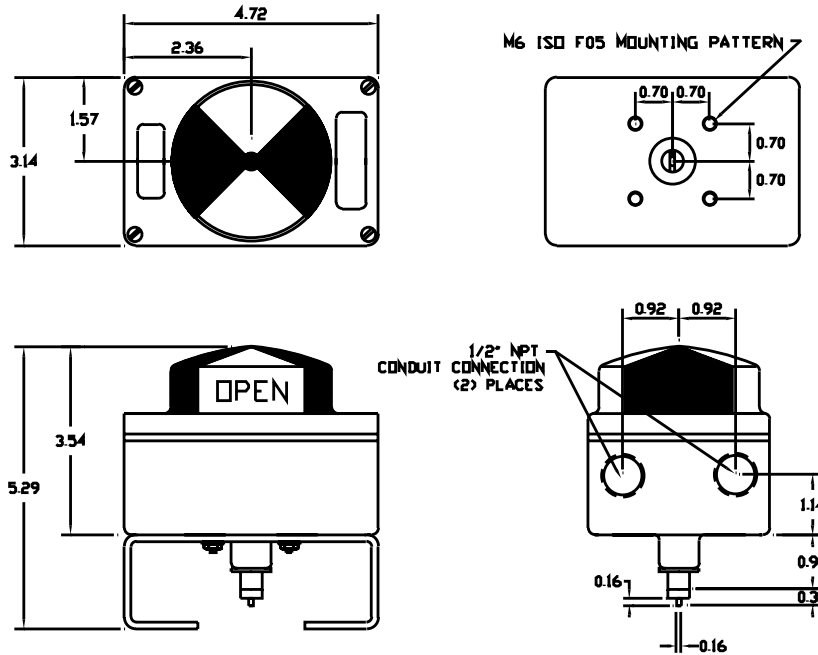
**MATERIALS**

HOUSING	Aluminum polyester powder coated
COVER	Polycarbonate
SHAFT	Stainless steel
CAM/SPLINES	Thermo-resistant ABS
3D ROTOR	UV Resistant polycarbonate
TERMINAL BLOCK	SS screws and PVC housing
INTERNAL BRACKETS	Stainless Steel
FASTENERS	Stainless Steel
TEMPERATURE RANGE	-4°F to +220°F
WEIGHT	NEMA 4: 1.25 LBS NEMA 7/9: 3 LBS
ENCLOSURE APPROVALS	UL, CENELEC, CE
SWITCH APPROVALS	<u>Mechanical</u> suitable for general purpose applications (gold plated versions available for intrinsically safe applications) <u>Proximity</u> suitable for intrinsically safe and hazardous locations (Class I, Div II, Groups A, B, C, D)

Also ask about our customized valve to limit switch kits



**NEMA 4 VERSION (CAB SERIES)**



**NEMA 7 VERSION (XAB SERIES)**

