



ELECTRIC ACTUATORS

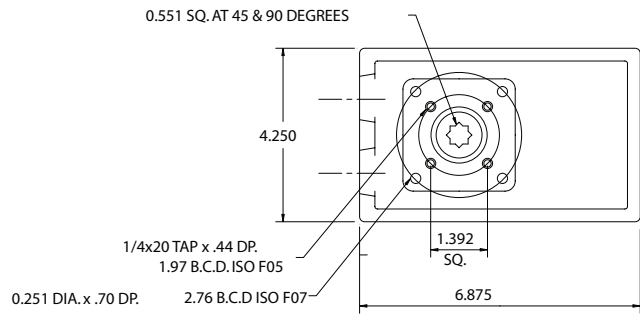
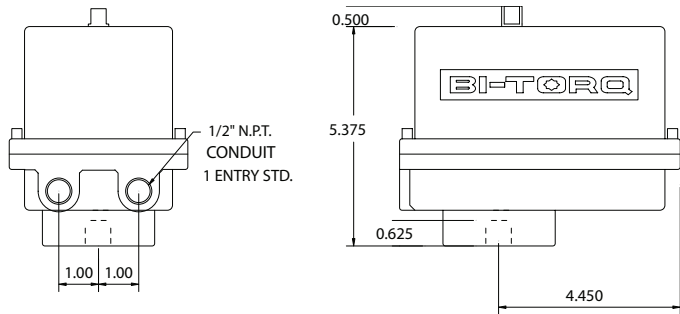


BI-200 AND 300-E

SPECIFICATIONS FOR 115VAC ACTUATOR

Output Torque	200 or 300 inch pounds
Cycle Time	5 sec/90°
Duty Cycle	25%
Standard Motor	115VAC/60Hz/1ph
Standard Enclosure	NEMA 4
Enclosure Material	Aluminum
Enclosure Coating	Thermal bonding polyester powder
Temperature Rating**	-40° F to +150° F
Thermal Overload Protection	Standard
Manual Override	Standard (omit on NEMA 7)
Lock Rotor Current	0.75 amps
Switches	15A, 1/2 HP 125 250VAC/0.5A/125VDC
Weight	7 pounds

**heater required below 0° F



CLEARANCE REQUIRED FOR COVER REMOVAL: 3.000"