



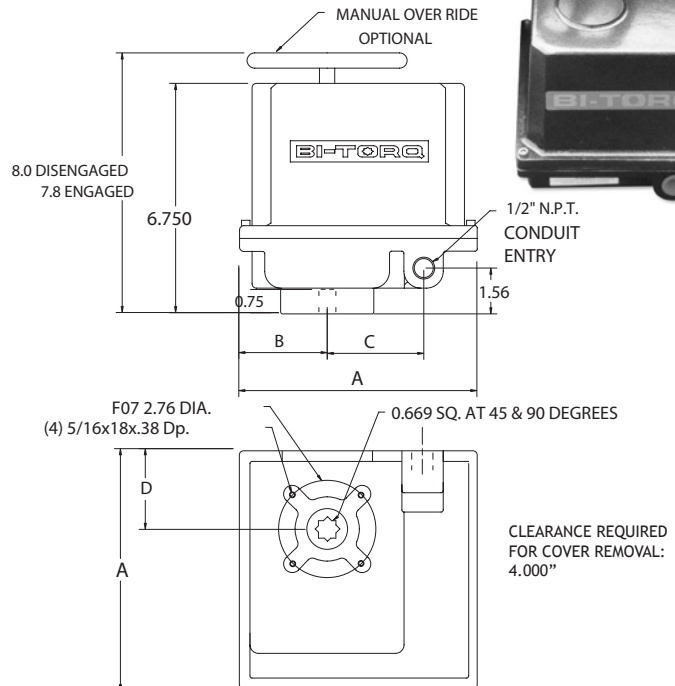
ELECTRIC ACTUATORS

BI- 400-E THRU 1500-E

SPECIFICATIONS FOR 115VAC ACTUATOR

Output Torque	BI-400...400 inch pounds BI-675...675 inch pounds BI-1000...1000 inch pounds BI-1500...1500 inch pounds
Cycle Time	BI-400...10 sec/90° BI-675-1000...15 sec/90° BI-1500...30 sec/90°
Duty Cycle	25%
Standard Motor	115VAC/60Hz/1ph
Standard Enclosure	NEMA 4
Enclosure Material	Aluminum
Enclosure Coating	Thermal bonding polyester powder
Temperature Rating**	-40° F to +150° F
Thermal Overload Protection	Standard
Manual Override	Standard declutchable (omit on NEMA 7)
Lock Rotor Current	BI-400/675...0.75 amps BI-1000/1500...1.1 amps
Switches	15A, 1/2 HP 125 250VAC/0.5A/125VDC
Weight	13 pounds

**heater required below 0° F



ENCLOSURE	A	B	C	D
NEMA 4	7.00	2.38	2.81	2.63
NEMA 7	8.50	3.13	2.81	3.38