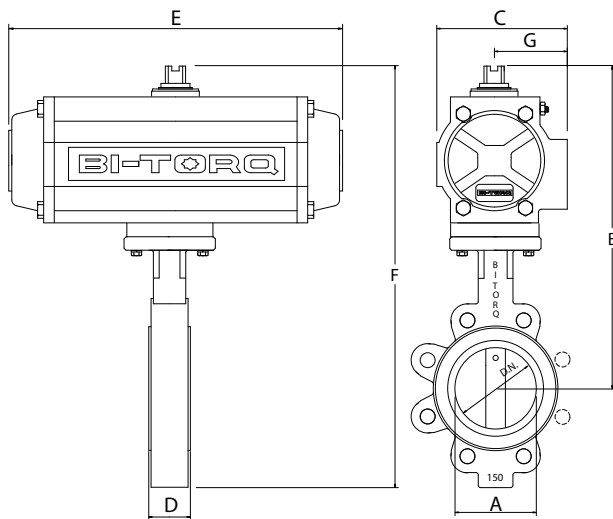


AUTOMATED CAST IRON BUTTERFLY VALVES



- Wafer and Lug Style Cast Iron BFVS
2" through 12" sizes
- SS stem and disc as standard
- EPDM, BUNA-N and VITON[®] seats
- Direct mount for low profile, cost-efficient operation
- Pneumatic, Electric and Gear Operators

PNEUMATIC ACTUATORS



ALL STANDARD PNEUMATIC ACTUATORS SIZED FOR 80 PSI SUPPLY; PLEASE CONSULT OUR SALES STAFF FOR OTHER COMBINATIONS.

DOUBLE ACTING

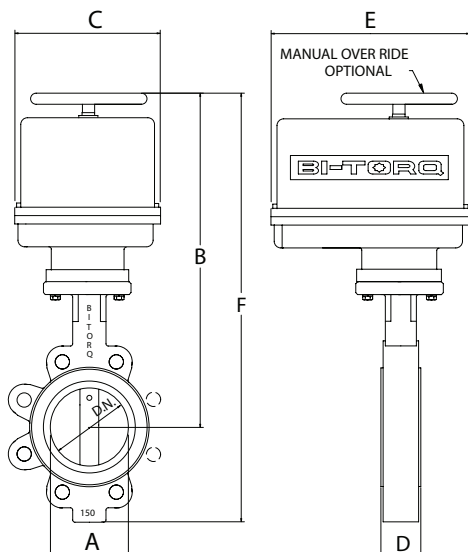
A	B	C	D	E	F	G	ACTUATOR
2"	10.30	3.17	1.69	6.38	13.45	1.77	PN-63DA
2-1/2"	10.85	3.17	1.81	6.38	14.38	1.77	PN-63DA
3"	11.09	3.17	1.81	6.38	14.83	1.77	PN-63DA
4"	11.83	3.17	2.05	6.38	16.32	1.77	PN-63DA
5"	13.45	4.17	2.20	9.35	18.45	2.30	PN-85DA
6"	13.96	4.17	2.20	9.35	19.43	2.30	PN-85DA
8"	15.81	4.84	2.36	10.69	22.70	2.68	PN-100DA
10"	18.72	5.83	2.68	14.41	26.71	3.15	PN-125DA
12"	23.21	8.58	3.07	20.55	31.38	3.94	PN-160DA

SPRING RETURN

A	B	C	D	E	F	G	ACTUATOR
2"	10.95	3.72	1.69	8.15	14.10	2.07	PN-75SR
2-1/2"	11.50	3.72	1.81	8.15	14.10	2.07	PN-75SR
3"	12.19	4.17	1.81	9.35	15.93	2.30	PN-85SR
4"	13.44	4.84	2.05	10.69	17.93	2.68	PN-100SR
5"	13.96	4.84	2.20	10.69	18.96	2.68	PN-100SR
6"	16.03	5.83	2.20	14.41	21.50	3.15	PN-125SR
8"	17.46	5.83	2.36	13.38	23.88	3.15	PN-125SR
10"	20.08	7.36	2.68	20.55	28.07	3.94	PN-160SR
12"	25.87	8.58	3.07	22.64	33.39	4.29	PN-200SR*

*INCLUDES CARBON STEEL MOUNTING KIT

ELECTRIC ACTUATORS



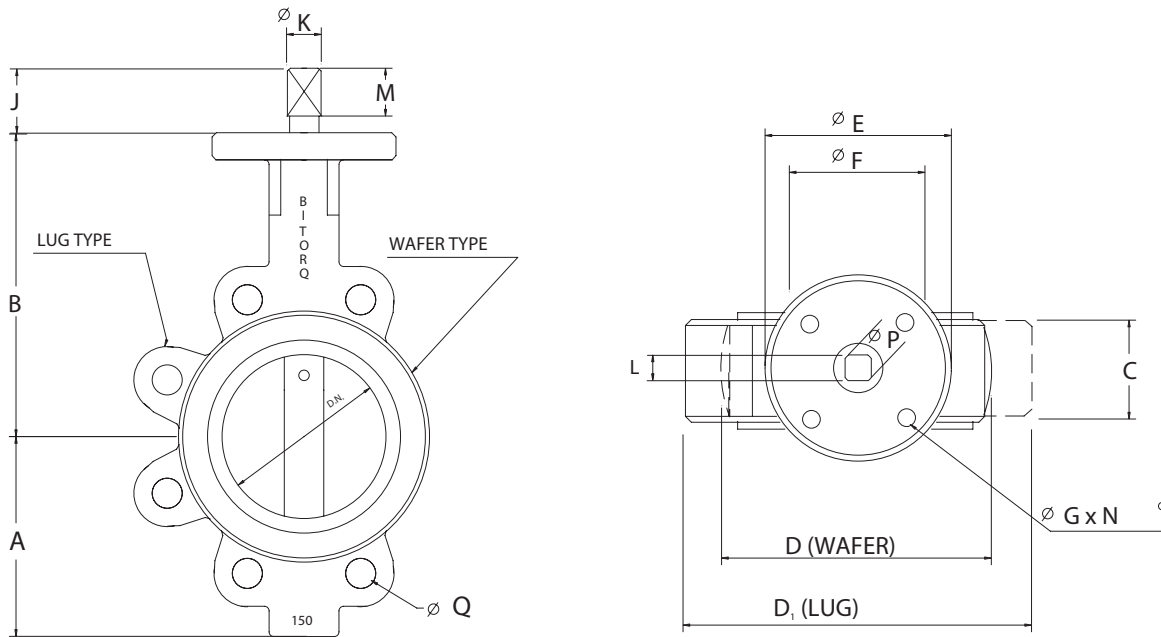
A	B	C	D	E	F	ACTUATOR
2"	12.22	4.25	1.69	6.88	15.37	BI-200-A-4-P1
2-1/2"	12.77	4.25	1.81	6.88	16.27	BI-200-A-4-P1
3"	13.00	4.25	1.81	6.88	16.74	BI-300-A-4-P1
4"	15.05	7.00	2.05	7.00	18.24	BI-400-A-4-P1
5"	16.39	7.00	2.20	7.00	21.39	BI-675-A-4-P1*
6"	16.90	7.00	2.20	7.00	22.37	BI-1000-A-4-P1*
8"	18.24	7.00	2.36	7.00	25.13	BI-1500-A-4-P1*
10"	23.13	10.00	2.68	10.00	31.12	BI-3800-A-4-P1**
12"	24.90	10.00	3.07	10.00	34.43	BI-3800-A-4-P1**

ALL ELECTRIC ACTUATOR DIMENSIONS ARE FOR NEMA 4 ENCLOSURES. FOR NEMA 7 ENCLOSURE DIMENSIONS, PLEASE CONSULT OUR SALES STAFF.

*INCLUDES DECLUTCHABLE MANUAL OVERRIDE

**INCLUDES DECLUTCHABLE MANUAL OVERRIDE AND MOUNTING KIT

AUTOMATED CAST IRON BUTTERFLY VALVES

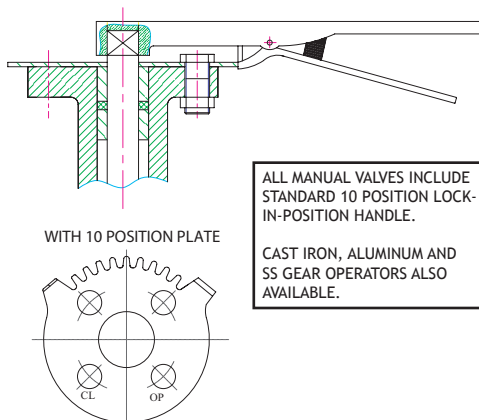


DIMENSIONS

SIZE	ISO	A	B	C	D (WAFER)	D (LUG)	EØ	FØ	G x No.	J	KØ	L	M	Q (LUG ONLY)	WEIGHT (LBS.) LUG	WEIGHT (LBS.) WAFER
2"	F07	3.15	6.34	1.69	4.02	5.98	3.54	2.76	0.354 x 4	1.023	0.551	0.433	0.669	4 x 5/8-11	8.4	5.5
2-1/2"	F07	3.50	6.89	1.81	4.76	6.74	3.54	2.76	0.354 x 4	1.023	0.551	0.433	0.669	4 x 5/8-11	9.2	7.0
3"	F07	3.74	7.13	1.81	5.47	7.87	3.54	2.76	0.354 x 4	1.023	0.551	0.433	0.669	4 x 5/8-11	10.3	7.9
4"	F07	4.49	7.87	2.05	6.30	9.02	3.54	2.76	0.354 x 4	1.181	0.709	0.551	0.826	8 x 5/8-11	15.8	10.8
5"	F07	5.00	8.39	2.20	7.48	10.00	3.54	2.76	0.354 x 4	1.181	0.709	0.551	0.826	8 x 3/4-10	21	15.4
6"	F07	5.47	8.90	2.20	8.46	11.02	3.54	2.76	0.354 x 4	1.299	0.866	0.669	0.945	8 x 3/4-10	23	17.2
8"	F07	6.89	10.24	2.36	10.59	13.50	3.54	2.76	0.472 x 4	1.299	0.866	0.669	0.945	8 x 3/4-10	40	29
10"	F10	7.99	11.50	2.68	13.11	15.98	4.92	4.02	0.472 x 4	1.850	1.102	0.866	0.945	12 x 7/8-9	59	42.2
12"	F10	9.53	13.27	3.07	15.08	19.02	4.92	4.02	0.472 x 4	1.850	1.102	0.866	0.945	12 x 7/8-9	88	71.5

OPTIONAL BUTTERFLY VALVES AVAILABLE THROUGH 24". HIGH PERFORMANCE, ALL STAINLESS AND SANITARY VALVES ALSO AVAILABLE.

10 POSITION HANDLE



ALL MANUAL VALVES INCLUDE STANDARD 10 POSITION LOCK-IN-POSITION HANDLE.

CAST IRON, ALUMINUM AND SS GEAR OPERATORS ALSO AVAILABLE.

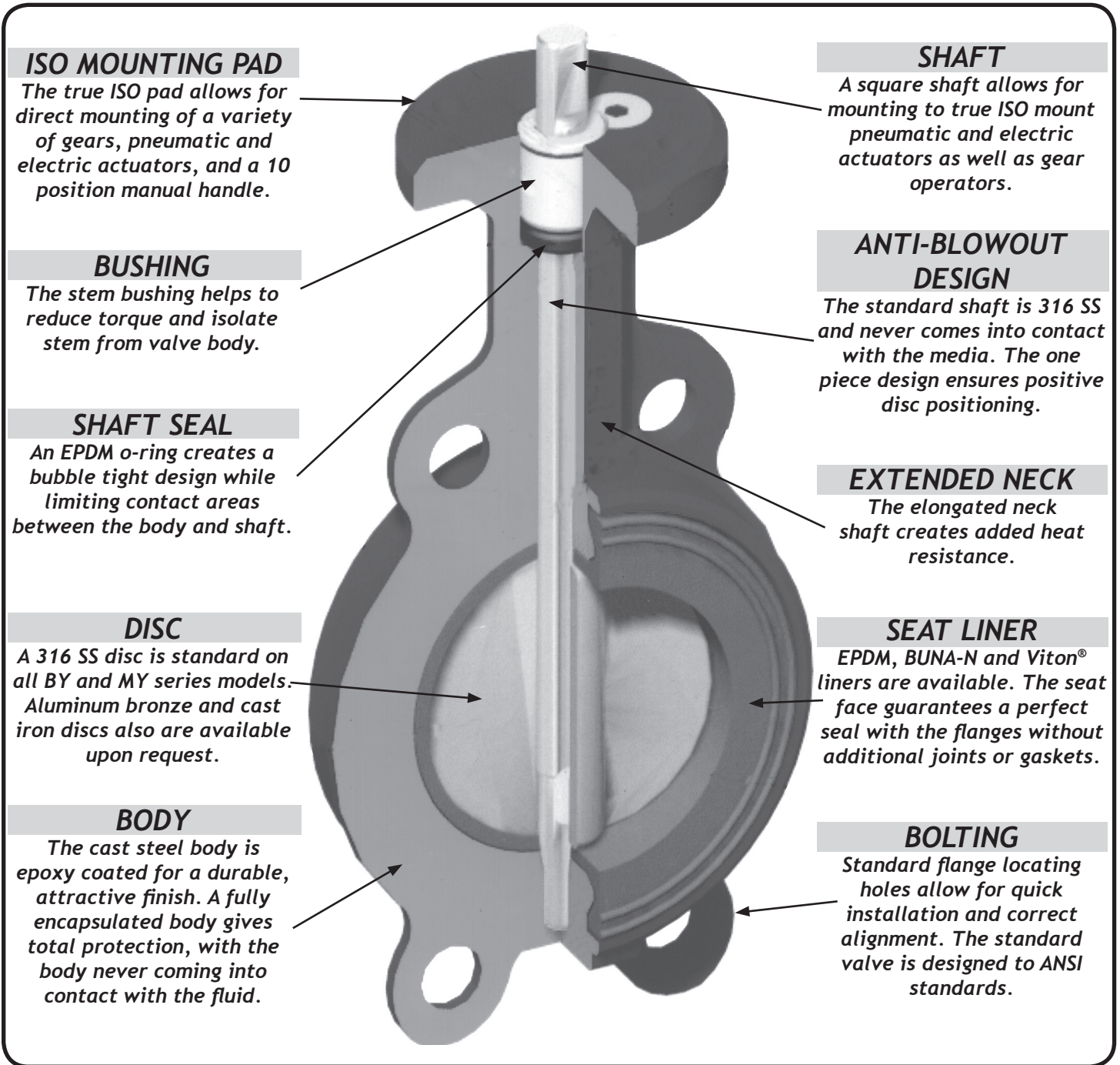
BILL OF MATERIALS

DESCRIPTION	QTY	MATERIAL
BODY	1	CAST IRON
BOTTOM BUSHING	1	BRONZE
SHAFT	1	316 SS
SEAT	1	EPDM OR BUNA
DISC	1	316 SS
TAPER PINS	1-2	316 SS
NAME PLATE	1	316 SS
RIVETS	2	316 SS
TOP BUSHING	1	BRONZE
O-RING	1	EPDM

SPECIFICATIONS

- DESIGNED TO MSS-SP67, API609 STANDARDS
- FLANGE ENDS DESIGNED TO ANSI B16.1, BS4504, DIN 2501
- WORKING PRESSURE:
225 PSI TO 8"
150 PSI 10"-12"
- SHELL TEST:
350 PSI
- SEAL TEST:
250 PSI
- WORKING TEMPERATURE:
EPDM: -30 °F TO +275 °F
BUNA-N: +10 °F TO +180 °F
VITON®: 0 °F TO 350 °F

CAST IRON BUTTERFLY VALVES FEATURES



LUG STYLE BFV

10 throttling positions are available with each standard handle on manually operated valves. The ergonomic design allows for easy operation on all sizes. A padlocking device is optional with all lever handles.



WAFER STYLE BFV