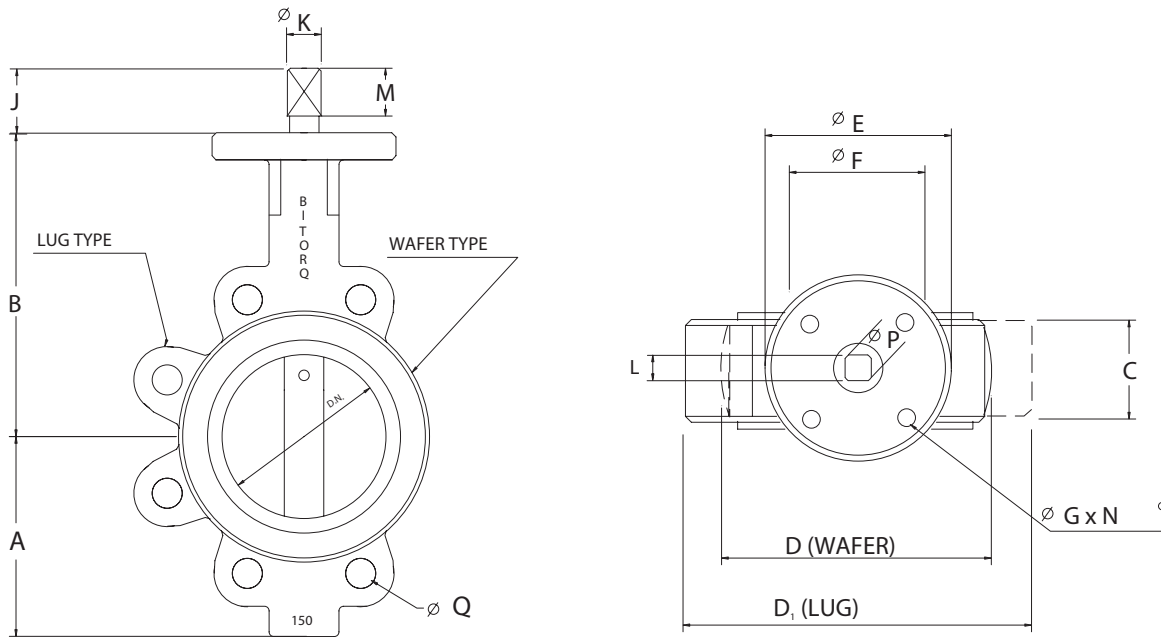


AUTOMATED CAST IRON BUTTERFLY VALVES

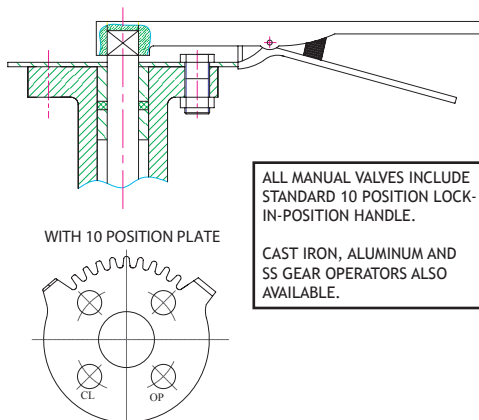


DIMENSIONS

| SIZE | ISO | A | B | C | D (WAFER) | D (LUG) | EØ | FØ | G x No. | J | KØ | L | M | Q (LUG ONLY) | WEIGHT (LBS.) LUG | WEIGHT (LBS.) WAFER |
|--------|-----|------|-------|------|-----------|---------|------|------|-----------|-------|-------|-------|-------|--------------|-------------------|---------------------|
| 2" | F07 | 3.15 | 6.34 | 1.69 | 4.02 | 5.98 | 3.54 | 2.76 | 0.354 x 4 | 1.023 | 0.551 | 0.433 | 0.669 | 4 x 5/8-11 | 8.4 | 5.5 |
| 2-1/2" | F07 | 3.50 | 6.89 | 1.81 | 4.76 | 6.74 | 3.54 | 2.76 | 0.354 x 4 | 1.023 | 0.551 | 0.433 | 0.669 | 4 x 5/8-11 | 9.2 | 7.0 |
| 3" | F07 | 3.74 | 7.13 | 1.81 | 5.47 | 7.87 | 3.54 | 2.76 | 0.354 x 4 | 1.023 | 0.551 | 0.433 | 0.669 | 4 x 5/8-11 | 10.3 | 7.9 |
| 4" | F07 | 4.49 | 7.87 | 2.05 | 6.30 | 9.02 | 3.54 | 2.76 | 0.354 x 4 | 1.181 | 0.709 | 0.551 | 0.826 | 8 x 5/8-11 | 15.8 | 10.8 |
| 5" | F07 | 5.00 | 8.39 | 2.20 | 7.48 | 10.00 | 3.54 | 2.76 | 0.354 x 4 | 1.181 | 0.709 | 0.551 | 0.826 | 8 x 3/4-10 | 21 | 15.4 |
| 6" | F07 | 5.47 | 8.90 | 2.20 | 8.46 | 11.02 | 3.54 | 2.76 | 0.354 x 4 | 1.299 | 0.866 | 0.669 | 0.945 | 8 x 3/4-10 | 23 | 17.2 |
| 8" | F07 | 6.89 | 10.24 | 2.36 | 10.59 | 13.50 | 3.54 | 2.76 | 0.472 x 4 | 1.299 | 0.866 | 0.669 | 0.945 | 8 x 3/4-10 | 40 | 29 |
| 10" | F10 | 7.99 | 11.50 | 2.68 | 13.11 | 15.98 | 4.92 | 4.02 | 0.472 x 4 | 1.850 | 1.102 | 0.866 | 0.945 | 12 x 7/8-9 | 59 | 42.2 |
| 12" | F10 | 9.53 | 13.27 | 3.07 | 15.08 | 19.02 | 4.92 | 4.02 | 0.472 x 4 | 1.850 | 1.102 | 0.866 | 0.945 | 12 x 7/8-9 | 88 | 71.5 |

OPTIONAL BUTTERFLY VALVES AVAILABLE THROUGH 24". HIGH PERFORMANCE, ALL STAINLESS AND SANITARY VALVES ALSO AVAILABLE.

10 POSITION HANDLE



BILL OF MATERIALS

| DESCRIPTION | QTY | MATERIAL |
|----------------|-----|--------------|
| BODY | 1 | CAST IRON |
| BOTTOM BUSHING | 1 | BRONZE |
| SHAFT | 1 | 316 SS |
| SEAT | 1 | EPDM OR BUNA |
| DISC | 1 | 316 SS |
| TAPER PINS | 1-2 | 316 SS |
| NAME PLATE | 1 | 316 SS |
| RIVETS | 2 | 316 SS |
| TOP BUSHING | 1 | BRONZE |
| O-RING | 1 | EPDM |

SPECIFICATIONS

- DESIGNED TO MSS-SP67, API609 STANDARDS
- FLANGE ENDS DESIGNED TO ANSI B16.1, BS4504, DIN 2501
- WORKING PRESSURE:
225 PSI TO 8"
150 PSI 10"-12"
- SHELL TEST:
350 PSI
- SEAL TEST:
250 PSI
- WORKING TEMPERATURE:
EPDM: -30°F TO +275°F
BUNA-N: +10°F TO +180°F
VITON®: 0°F TO 350°F

CAST IRON BUTTERFLY VALVES FEATURES

ISO MOUNTING PAD

The true ISO pad allows for direct mounting of a variety of gears, pneumatic and electric actuators, and a 10 position manual handle.

BUSHING

The stem bushing helps to reduce torque and isolate stem from valve body.

SHAFT SEAL

An EPDM o-ring creates a bubble tight design while limiting contact areas between the body and shaft.

DISC

A 316 SS disc is standard on all BY and MY series models. Aluminum bronze and cast iron discs also are available upon request.

BODY

The cast steel body is epoxy coated for a durable, attractive finish. A fully encapsulated body gives total protection, with the body never coming into contact with the fluid.

SHAFT

A square shaft allows for mounting to true ISO mount pneumatic and electric actuators as well as gear operators.

ANTI-BLOWOUT DESIGN

The standard shaft is 316 SS and never comes into contact with the media. The one piece design ensures positive disc positioning.

EXTENDED NECK

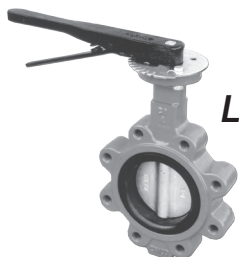
The elongated neck shaft creates added heat resistance.

SEAT LINER

EPDM, BUNA-N and Viton[®] liners are available. The seat face guarantees a perfect seal with the flanges without additional joints or gaskets.

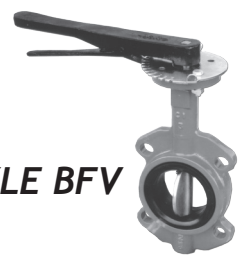
BOLTING

Standard flange locating holes allow for quick installation and correct alignment. The standard valve is designed to ANSI standards.



LUG STYLE BFV

10 throttling positions are available with each standard handle on manually operated valves. The ergonomic design allows for easy operation on all sizes. A padlocking device is optional with all lever handles.



WAFER STYLE BFV