

**TEFLON<sup>®</sup> LINED BUTTERFLY VALVES**



**PRESSURE RATING**  
200PSI  
**TEMPERATURE RATING**  
0°F to 400°F  
*Meets MMSS SP-67 and  
API609 latest revisions*

**VALVE FEATURES**

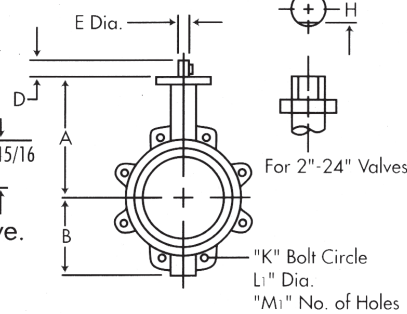
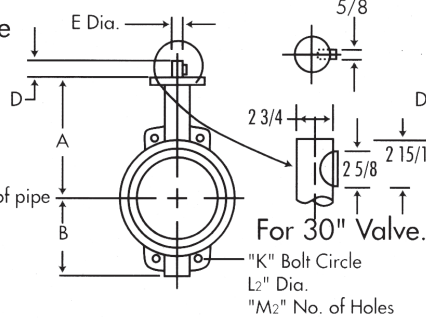
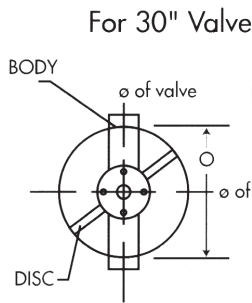
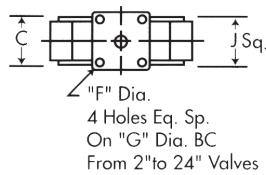
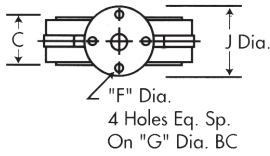
- Cast iron body construction
- 2" through 30"
- TFE seats and Viton<sup>®</sup> backing
- Wafer or Lug style
- Ideal for corrosives
- Ni coated ductile iron, bronze or SS disc options
- 2-piece shaft design for easy seat replacement
- Wide range of actuation options

**PRODUCT OVERVIEW**

Our TFE<sup>®</sup> lined butterfly valve with Viton<sup>®</sup> backing is ideal for applications with corrosive materials or chemicals not compatible with soft-seated (EPDM, BUNA, Viton, etc.) butterfly valves. Typical applications for the TFE lined BFV are:

- Clean liquids and gasses
- Corrosive liquids and gasses
- Hazardous liquids and gasses
- Viscous liquids
- Dry materials
- Food/pharmaceutical

The BY series with TFE is available with a 10 position manual handle, cast iron or aluminum gear operators, pneumatic actuators and electric actuators. Customized extensions, 3-way tee linkages and other specialized mounting hardware also are available.



**WEIGHTS**

SIZE	WAFER	LUG
2"	6.0	9.1
2-1/2"	7.7	10.1
3"	8.6	11.3
4"	11.8	21.6
5"	16.8	26.2
6"	18.7	34.1
8"	31.7	43.7
10"	46.1	64.3
12"	78.0	96.0
14"	99.1	134.4
16"	146.4	230.4
18"	189.6	292.8
20"	307.2	484.8
24"	331.2	648.8
30"	660.0	855.0

**DIMENSIONS**

SIZE	A	B	C	D	E	F	G	H	I	J	L1	L2	M1	M2	N	O
2"	6.375	3.125	1.750	1.250	0.500	0.375	2.750	0.375	4.750	3.500	0.625	0.750	0.125	0.125	3.875	1.250
2-1/2"	6.875	3.500	1.875	1.250	0.500	0.375	2.750	0.375	5.500	3.500	0.625	0.750	0.125	0.125	5.000	2.500
3"	7.125	3.750	1.875	1.250	0.500	0.375	2.750	0.375	6.000	3.500	0.625	0.750	0.125	0.125	5.000	2.500
4"	7.875	4.750	2.125	1.250	0.675	0.375	2.750	0.469	7.500	3.500	0.625	0.750	0.250	0.125	6.125	3.375
5"	8.375	5.000	2.125	1.250	0.750	0.375	2.750	0.500	8.500	3.500	0.750	0.875	0.250	0.125	7.500	4.375
6"	8.875	5.500	2.250	1.250	0.750	0.375	2.750	0.500	9.500	3.500	0.750	0.875	0.250	0.125	8.375	5.250
8"	10.250	6.875	2.500	1.750	0.875	0.462	4.000	0.625	11.750	4.875	0.750	0.875	0.250	0.125	10.500	7.625
10"	11.500	8.000	2.750	1.750	1.125	0.462	4.000	0.875	14.250	4.875	0.875	1.000	0.375	0.125	12.750	9.500
12"	13.125	9.500	3.125	1.750	1.250	0.562	4.000	0.875	17.000	5.500	0.875	1.000	0.375	0.125	15.875	11.500
14"	14.500	10.500	3.125	1.750	1.250	0.500	4.000	0.875	17.250	5.500	1.000	1.125	0.375	0.125	17.125	12.750
16"	15.750	11.750	3.750	2.125	1.312	0.375	5.500	1.062	21.250	7.750	1.000	1.125	0.625	0.125	19.125	14.875
18"	16.625	12.375	4.250	2.125	1.500	0.750	5.500	1.062	22.750	7.750	1.062	1.250	0.625	0.125	21.125	16.875
20"	18.875	13.750	5.250	2.500	1.625	0.750	5.500	1.250	25.000	7.750	1.062	1.250	0.750	0.125	23.375	18.750
24"	22.125	17.500	6.125	2.750	2.000	0.875	6.500	1.375	30.375	10.875	1.469	1.375	0.750	0.125	32.500	22.500
30"	26.000	22.000	6.750	2.500	2.500	0.750	10.000	---	36.000	11.750	1.469	1.375	1.125	0.125	38.375	28.625