

BI-200-A-SR

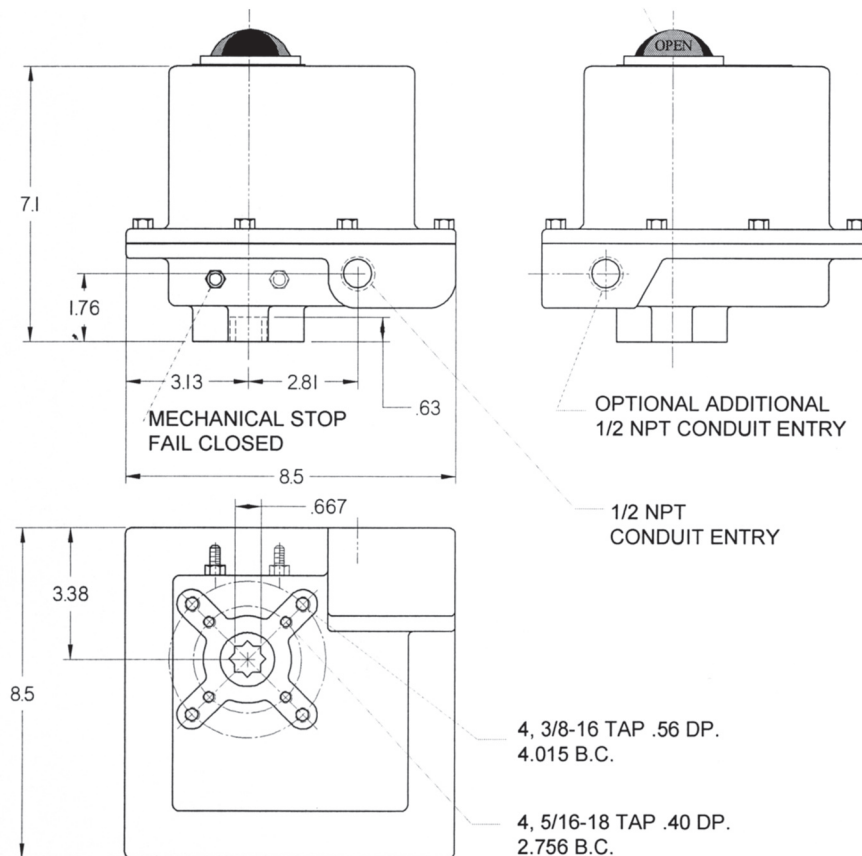
SPECIFICATIONS FOR 115VAC ACTUATOR

Output Torque	200 inch pounds
Cycle Time	10 sec/90°
Duty Cycle	25%
Standard Motor	115VAC/60Hz/1ph
Standard Enclosure	NEMA 4
Enclosure Material	Aluminum
Enclosure Coating	Thermal bonding polyester powder
Temperature Rating**	-40°F to +150°F
Thermal Overload Protection	Standard
Manual Override	N/A
Lock Rotor Current	0.75 amps
Switches	15A, 1/2 HP 125 250VAC/0.5A/125VDC
Weight	16 pounds



BI-TORQ's model BI-200-A-SR spring return actuator is a light duty actuator designed for fail safe applications requiring system protection from unforeseen power failures. This actuator is not recommended for applications requiring several open/close cycles per day using the spring.

**heater required below 0°F



CLEARANCE FOR REQUIRED FOR COVER REMOVAL: 3.000"