

**FLP-MT SERIES 1-1/4" THROUGH 2" 150# FLANGED**



**FM**  
**APPROVED**  
TOPWORKS WITH  
API 607 FIRE SAFE  
BALL VALVE

FLP-MT series fusible link shown with 2" carbon steel flanged ball valve

| PART NUMBERS                   |   |
|--------------------------------|---|
| FLP-MT-079/089-***-XXX-BV-ED50 | includes 316SS flanged API 607 fire safe valve  |
| FLP-MT-079/089-***-XXX-BV-W50  | includes WCB/SS flanged API 607 fire safe valve |

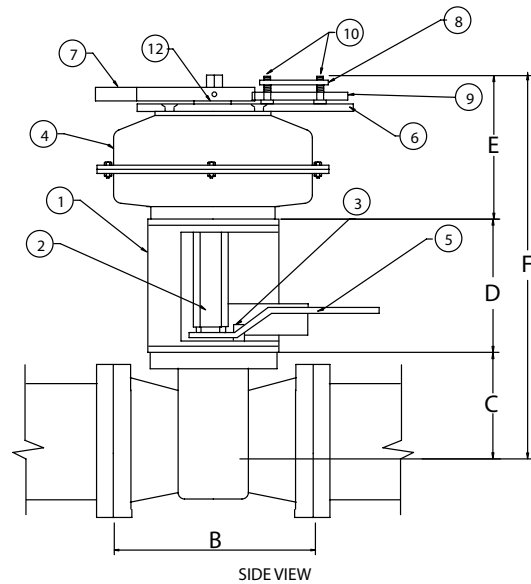
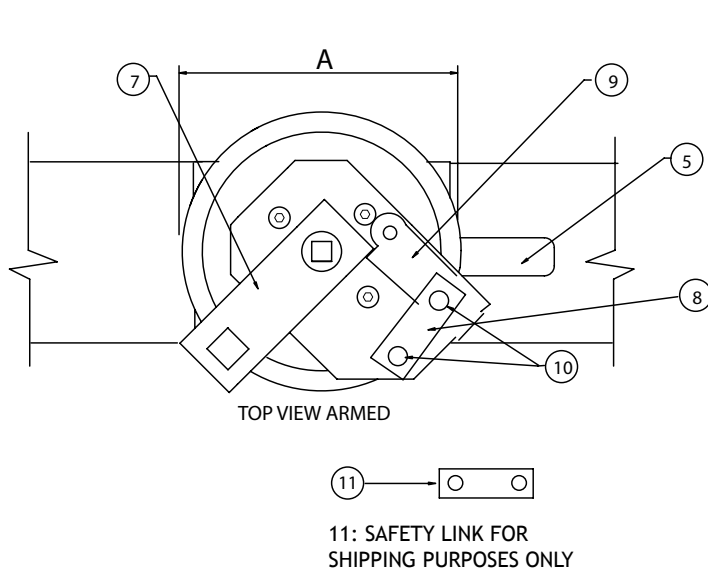
\*\*\*: Select a link temperature from the chart below.

XXX: valve size (i.e., 012=1-1/4", 015=1-1/2", 020=2")

NOTE: 1-1/4" valve uses 07 spring pack; 1-1/2" - 2" use 08 spring pack

| LINK PART NUMBER | LINK YIELD TEMPERATURE | MAXIMUM AMBIENT TEMPERATURE |
|------------------|------------------------|-----------------------------|
| FL-1-165         | 165° F/74° C           | 135° F/57° C                |
| FL-1-212         | 212° F/100° C          | 185° F/82° C                |
| FL-1-286         | 286° F/138° C          | 253° F/123° C               |
| FL-1-360         | 360° F/182° C          | 330° F/166° C               |

**NOTE: Links should be replaced on an annual basis as part of a regular maintenance program. Links are not rated for use in corrosive atmospheres.**



**DIMENSIONS**

| SIZE          | 1-1/4" | 1-1/2" | 2"     |
|---------------|--------|--------|--------|
| A             | 6.000  | 7.870  | 7.870  |
| B             | 5.500  | 6.500  | 7.000  |
| C             | 1.970  | 2.610  | 2.950  |
| D             | 4.000  | 4.000  | 4.000  |
| E             | 4.750  | 4.750  | 4.750  |
| F             | 10.720 | 11.360 | 11.700 |
| WEIGHT (LBS.) | 26.88  | 41.60  | 46.60  |

**BILL OF MATERIALS**

|   |                                |                    |    |                            |                 |
|---|--------------------------------|--------------------|----|----------------------------|-----------------|
| 1 | SPRING PACK MOUNTING BRACKET   | CARBON STEEL       | 7  | ARMING LEVER               | STAINLESS STEEL |
| 2 | COUPLER/TRIPPER ARM            | CARBON STEEL       | 8  | FUSIBLE LINK               | SOLDERED METAL  |
| 3 | VALVE OPEN/CLOSE STOP          | STAINLESS STEEL    | 9  | FUSIBLE LINK RETAINING ARM | STAINLESS STEEL |
| 4 | 077-030 or 087-030 SPRING PACK | EPOXY COATED STEEL | 10 | LINK RETAINING STUDS       | STAINLESS STEEL |
| 5 | VALVE HANDLE                   | PLATED STEEL       | 11 | SAFETY LINK                | CARBON STEEL    |
| 6 | FL MOUNTING PLATE              | STAINLESS STEEL    | 12 | SPACER                     | NYLON           |

The policy of AVK Carbo-Bond is one of continuous improvement. We reserve the right to alter the product as described and illustrated without notice.