

**LT SERIES**

FOR VALVES UP TO 150 INCH POUNDS OF TORQUE

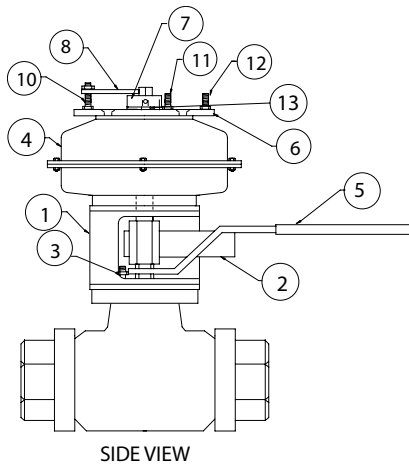
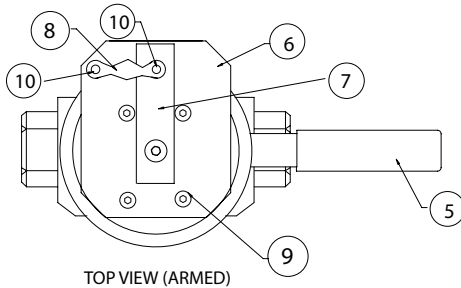


assembly shown with red safety link installed  
The LT (low torque) fusible link assembly incorporates the valve handle to allow manual operation even while armed.

**LT-SERIES FEATURES**

- PROVIDES AUTOMATIC CLOSURE IN EVENT OF FIRE
- VALVE CAN STILL BE OPERATED MANUALLY EVEN WHILE ARMED
- SOLDERED FUSIBLE LINKS AVAILABLE 135° F THROUGH 360° F
- API 607 FIRE SAFE VALVE AVAILABLE WITH FLANGED OR NPT ENDS

*The LT-series is designed for valve sizes from 1/4" through 1-1/4" depending on valve torque, media and pressure.*



1	valve mounting bracket	7	retaining arm
2	spring closing arm	8	fusible link(s)
3	valve stop	9	mounting plate fasteners
4	spring pack (039 or 059)	10	retaining studs
5	valve handle	11	spacer/washer
6	fusible link mounting plate	12	safety link (for shipping only)

**HEAVY DUTY SPRING PACK**

The armed spring pack features weatherproof sealed spring housing and corrosion resistant epoxy paint. The reliable low stress clock springs assure quick closing action when the fusible links yield.

**CUSTOMIZED MOUNTING HARDWARE**

A heavy-duty gauge bracket and top plate provide the durable, secure construction that AVK Carbo-Bond products are known for. An all stainless bracket, coupling, arming plate and hardware kit also are available.

**FACTORY ASSEMBLED**

All AVK Carbo-Bond fusible link assemblies are assembled by factory-trained personnel. The units then are armed with a protective safety link for shipping purposes.

**RELIABLE FUSIBLE LINKS**

AVK Carbo-Bond fusible links are designed to remain secure until releasing the spring pack when the desired temperature is reached. Soldered type fusible links are available in these temperature ranges:

LINK PART NUMBER	LINK YIELD TEMPERATURE	MAXIMUM AMBIENT TEMPERATURE
110135	135° F/57° C	104° F/41° C
314165	165° F/74° C	135° F/57° C
110212	212° F/100° C	185° F/82° C
110280	280° F/138° C	253° F/123° C
110360	360° F/182° C	330° F/166° C

*Please consult factory for special order links*

The policy of AVK Carbo-Bond is one of continuous improvement. We reserve the right to alter the product as described and illustrated without notice.