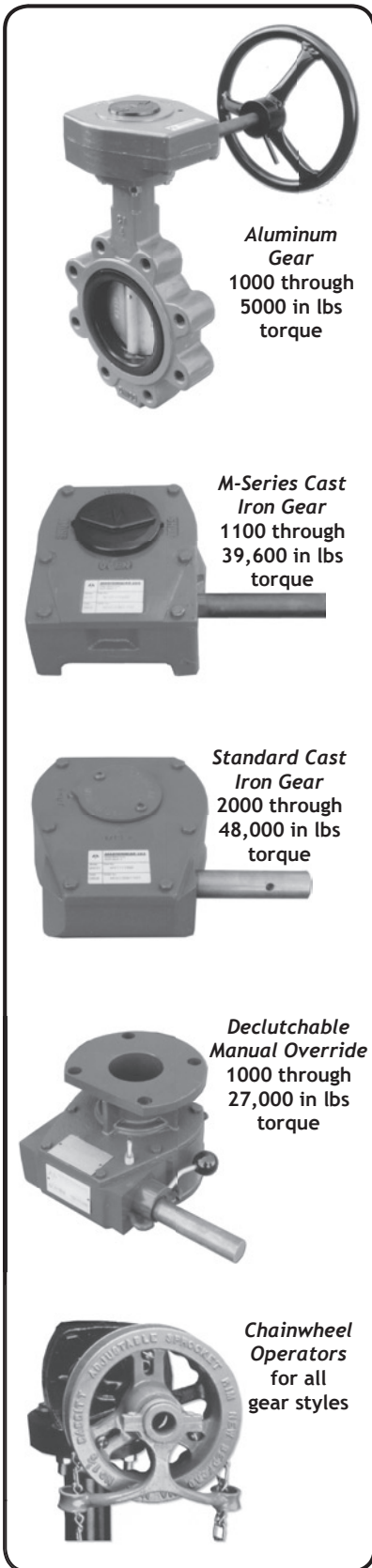


# GEAR OPERATED BUTTERFLY VALVES



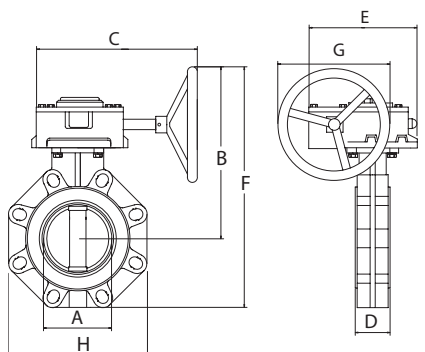
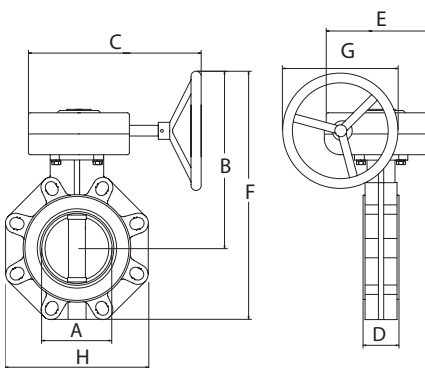
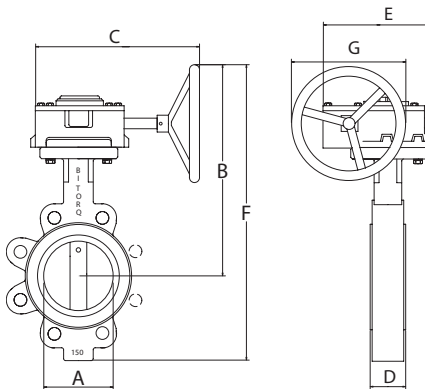
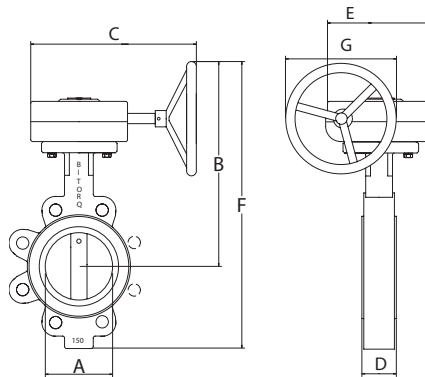
**Aluminum Gear**  
1000 through 5000 in lbs torque

**M-Series Cast Iron Gear**  
1100 through 39,600 in lbs torque

**Standard Cast Iron Gear**  
2000 through 48,000 in lbs torque

**Declutchable Manual Override**  
1000 through 27,000 in lbs torque

**Chainwheel Operators**  
for all gear styles



## MY SERIES BFV WITH ALUMINUM GEAR OPERATOR

A	B	C	D	E	F	G	GEAR
2"	11.72	9.25	1.69	4.82	14.87	7.09	981
2-1/2"	12.27	9.25	1.81	4.82	15.77	7.09	981
3"	12.51	9.25	1.81	4.82	16.25	7.09	981
4"	13.25	9.25	2.05	4.82	17.74	7.09	981
5"	13.77	9.25	2.20	4.82	18.77	7.09	981
6"	15.28	9.25	2.20	4.82	20.75	7.09	981
8"	16.62	10.78	2.36	5.38	23.51	8.09	984
10"	17.88	10.78	2.68	5.38	25.87	8.09	984
12"	19.65	10.78	3.07	5.38	29.18	8.09	984

## MY SERIES BFV WITH CAST IRON GEAR OPERATOR

A	B	C	D	E	F	G	GEAR
2"	11.62	8.73	1.69	4.21	14.77	7.47	M05
2-1/2"	12.17	8.73	1.81	4.21	15.67	7.47	M05
3"	12.41	8.73	1.81	4.21	16.15	7.47	M05
4"	13.15	8.73	2.05	4.21	17.64	7.47	M05
5"	13.67	8.73	2.20	4.21	18.67	7.47	M05
6"	15.18	8.73	2.20	4.21	20.65	7.47	M05
8"	16.52	8.73	2.36	4.21	23.41	7.47	M07
10"	17.78	8.73	2.68	4.21	25.77	7.47	M07
12"	19.55	8.73	3.07	4.21	29.08	7.47	M07

## PP SERIES BFV WITH ALUMINUM GEAR OPERATOR

A	B	C	D	E	F	G	H	GEAR
2-1/2"	11.07	9.25	1.81	4.82	14.22	7.09	6.50	981
3"	11.62	9.25	1.93	4.82	15.28	7.09	7.28	981
4"	12.17	9.25	2.20	4.82	16.38	7.09	8.31	981
5"	12.95	9.25	2.52	4.82	17.67	7.09	9.45	981
6"	13.48	9.25	2.80	4.82	18.78	7.09	10.60	981
8"	15.32	10.78	2.80	5.38	21.66	8.09	12.72	984
10"	16.15	10.78	4.49	5.38	24.42	8.09	15.95	984
12"	19.39	10.78	4.49	5.38	29.04	8.09	18.70	984

## PP SERIES BFV WITH CAST IRON GEAR OPERATOR

A	B	C	D	E	F	G	H	GEAR
2-1/2"	10.97	8.73	1.81	4.21	14.12	7.47	6.50	M05
3"	11.52	8.73	1.93	4.21	15.18	7.47	7.28	M05
4"	12.07	8.73	2.20	4.21	16.28	7.47	8.31	M05
5"	12.85	8.73	2.52	4.21	17.57	7.47	9.45	M05
6"	13.38	8.73	2.80	4.21	18.68	7.47	10.60	M05
8"	15.22	8.73	2.80	4.21	21.56	7.47	12.72	M07
10"	16.05	8.73	4.49	4.21	24.32	7.47	15.95	M07
12"	19.29	8.73	4.49	4.21	28.94	7.47	18.70	M07