



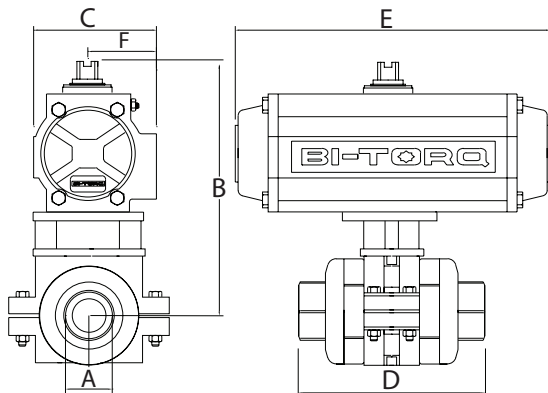
AUTOMATED PVC AND CPVC BALL VALVES



- PVC and CPVC Ball Valves
1/2" through 6"
- True Union or Flanged Ends
- Electric and Pneumatic Actuators
- EPDM, Viton[®], or Buna-N seal
Options with TFE seats
- Ideal for Use in Chemical, Industrial,
Irrigation, or Pool and Spa
- NSF Listed for Potable Water



PNEUMATIC ACTUATORS



ALL STANDARD PNEUMATIC ACTUATORS SIZED FOR 80 PSI SUPPLY; PLEASE CONSULT OUR SALES STAFF FOR OTHER COMBINATIONS

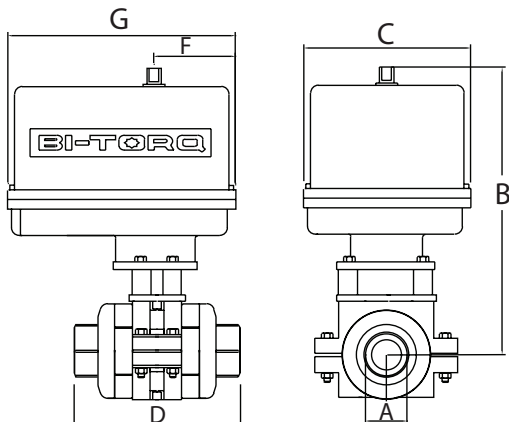
DOUBLE ACTING

	1/2"	3/4"	1"	1-1/4"	1-1/2"	2"	2-1/2"	3"	4"
A	1/2"	3/4"	1"	1-1/4"	1-1/2"	2"	2-1/2"	3"	4"
B	4.66	4.72	4.98	5.19	6.04	7.80	9.23	9.53	10.42
C	1.77	1.77	1.77	1.77	2.80	2.80	3.17	3.17	3.72
D	5.13	6.13	6.50	7.00	8.00	8.75	11.88	11.88	11.88
E	4.33	4.33	4.33	4.33	5.49	5.49	6.38	6.38	8.15
F	0.89	0.89	0.89	0.89	1.61	1.61	1.77	1.77	2.07
ACT.	32DA	32DA	32DA	32DA	52DA	52DA	63DA	63DA	75DA
WT.	2.52	2.86	3.29	4.30	6.03	7.98	17.42	19.34	28.07

SPRING RETURN

	1/2"	3/4"	1"	1-1/4"	1-1/2"	2"	2-1/2"	3"	4"
A	1/2"	3/4"	1"	1-1/4"	1-1/2"	2"	2-1/2"	3"	4"
B	5.23	5.54	5.55	5.76	6.48	6.74	9.59	9.73	12.56
C	2.80	2.80	2.80	2.80	3.17	3.17	4.84	4.84	5.39
D	5.13	6.13	6.50	7.00	8.00	8.75	11.88	11.88	11.88
E	5.49	5.49	5.49	5.49	6.38	6.38	10.69	10.69	12.91
F	1.61	1.61	1.61	1.61	1.77	1.77	2.68	2.68	2.87
ACT.	52SR	52SR	52SR	52SR	63SR	63SR	100SR	100SR	115SR
WT.	4.12	4.46	4.89	5.90	8.18	10.13	30.07	32.09	46.82

ELECTRIC ACTUATORS



	1/2"	3/4"	1"	1-1/4"	1-1/2"	2"	2-1/2"	3"	4"
A	1/2"	3/4"	1"	1-1/4"	1-1/2"	2"	2-1/2"	3"	4"
B	6.21	6.52	6.53	6.74	6.84	7.93	9.40	9.40	13.81
C	4.00	4.00	4.00	4.00	4.00	4.25	4.25	4.25	7.00
D	5.13	6.13	6.50	7.00	8.00	8.75	11.88	11.88	11.88
E	5.63	5.63	5.63	5.63	5.63	6.88	6.88	6.88	7.00
F	2.31	2.31	2.31	2.31	2.31	2.43	2.43	2.43	2.38
G	5.63	5.63	5.63	5.63	5.63	6.88	6.88	6.88	7.00
ACT.	100E	100E	100E	100E	100E	200E	300E	300E	675E
WT.	6.47	6.81	7.24	8.25	9.73	12.68	22.62	23.04	37.47

ALL ELECTRIC ACTUATOR DIMENSIONS ARE FOR NEMA 4 ENCLOSURES. FOR NEMA 7 ENCLOSURE DIMENSIONS, PLEASE CONSULT OUR SALES STAFF.

IC/IV SERIES TRUE UNION BALL VALVES

BILL OF MATERIALS

PART #	NAME	MATERIAL	OPTIONAL MATERIAL	QTY
1	INSERT	PVC	CPVC/PP	1
2	HANDLE	PVC	CPVC/PP	1
3	STEM O-RING	EPDM	VITON	2
4	STEM	PVC	CPVC/PP	1
5	SEAT	PTFE	---	2
6	BALL	PVC	CPVC/PP	1
7	BODY	PVC	CPVC/PP	1
8	SEAT O-RING	EPDM	VITON	2
9	BODY O-RING	EPDM	VITON	2
10	SOCKET O-RING	EPDM	VITON	2
11	CARRIER/STOP RING	PVC	CPVC/PP	1
12	END CONNECTOR	PVC	CPVC/PP	2
13	UNION NUT	PVC	CPVC/PP	2
14	DUAL BLOCK	POM	---	1

VALVE FEATURES

- PVC and CPVC valves 1/2" through 6"
- TFE® seats and EPDM, BUNA-N or Viton® body o-rings
- True union style
- Threaded, socket or flanged ends
- Patented stem design

to help prevent leakage in the event of stem damage

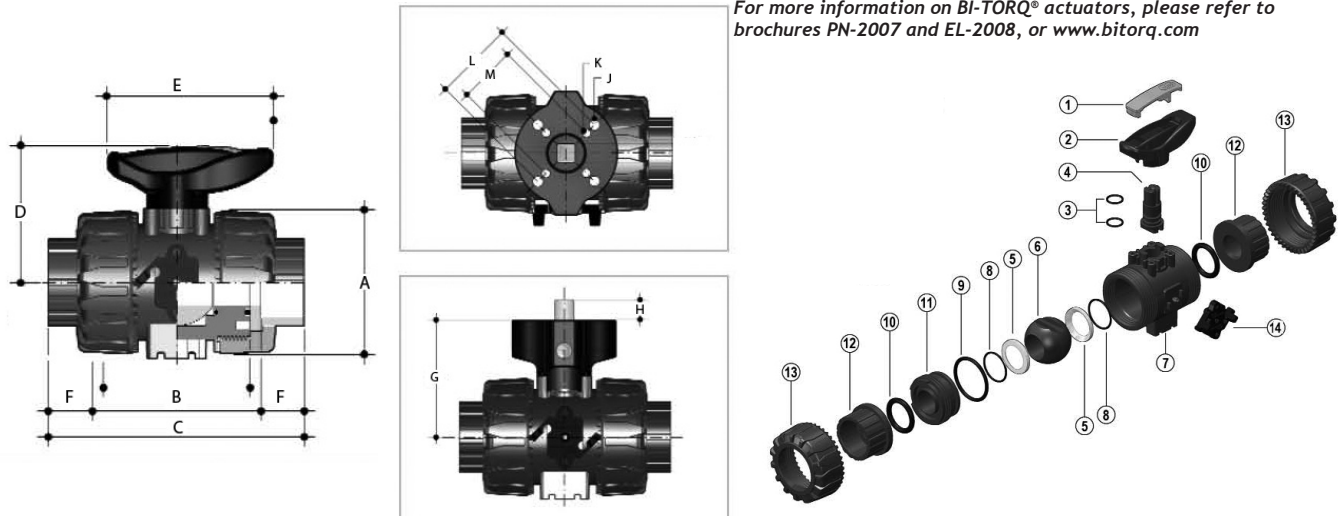
PRESSURE RATING
235 PSI at 73° F to 2"
TEMPERATURE RATING
varies with o-ring material

ACTUATOR FEATURES

- PNEUMATIC ACTUATORS**
- Rack and pinion design
 - Spring return or double acting
 - open and closed adjustment stops
 - true NAMUR accessory mounting
 - visual indicator

- ELECTRIC ACTUATORS**
- 120VAC, 220VAC, 24VAC, 12VDC, 24VDC
 - NEMA 4 and NEMA 7 enclosures
 - Manual override
 - visual indicator

For more information on BI-TORQ® actuators, please refer to brochures PN-2007 and EL-2008, or www.bitorq.com



DIMENSIONAL DATA

SIZE	A	B	C	D	E	G	H	J	K	L	M	CV	WEIGHT (LBS.)	PSI
1/2"	2.13	2.97	4.37	2.13	2.64	2.28	0.47	0.22	0.22	F04	F03	25	0.47	235
3/4"	2.56	3.19	4.61	2.56	3.35	2.89	0.47	0.26	0.22	F05	F03	51	0.81	235
1"	2.87	3.54	5.31	2.74	3.35	2.91	0.47	0.26	0.22	F05	F03	97	1.24	235
1-1/4"	3.39	4.05	6.02	3.25	4.25	3.82	0.63	0.33	0.26	F05	F07	204	2.25	235
1-1/2"	3.86	4.20	6.14	3.50	4.25	4.09	0.63	0.33	0.26	F05	F07	285	2.73	235
2"	4.80	4.99	7.32	4.25	5.28	4.49	0.63	0.33	0.26	F05	F07	540	4.68	235
2-1/2"	6.46	6.64	9.25	6.46	8.86	6.46	0.63	0.35	N/A	N/A	F07	712	12.62	150
3"	7.99	7.83	10.63	6.97	12.87	6.97	0.63	0.35	N/A	N/A	F07	1294	13.04	150
4"	9.37	9.17	12.13	7.68	15.16	7.68	0.75	0.35	N/A	N/A	F07	2629	19.47	150

ALL VALVES ARE 100% ELECTRONICALLY TESTED AT 80 psi IN BOTH THE OPEN AND CLOSED POSITIONS