

IP-3W SERIES 3-WAY BRASS BALL VALVES

BILL OF MATERIALS

PART #	NAME	MATERIAL	QTY
1	BODY	BRASS UNI 5705-65	1
2	ENDS	BRASS UNI 5705-65	3
3	BALL	BRASS UNI 5705-65 CHROME PLATED	1
4	SEAT	TFE	4
5	BODY SEAL	VITON	4
6	STEM SEAL	TFE	1
7	BODY O-RING	VITON	1
8	STEM O-RING	VITON	1
9	STEM NUT	BRASS UNI 5705-65	1
10	STEM	BRASS UNI 5705-65	1

VALVE FEATURES

- Std. port brass valve 1/4" through 2"
- Multiple flow configurations
- TFE[®] seats and seals
- Viton[®] body o-rings
- ISO mounting pad
- blowout proof stem
- 4-seat design

PRESSURE RATING
400 WOG

TEMPERATURE RATING
+297° F Maximum
50 PSI Steam

ACTUATOR FEATURES

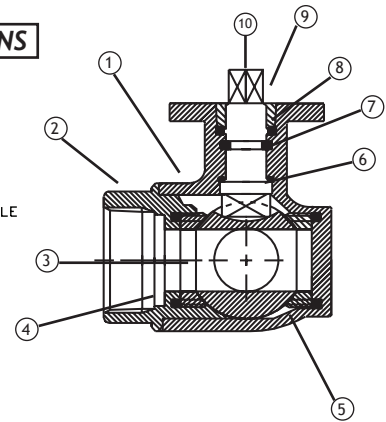
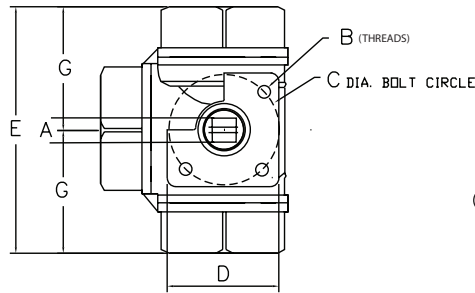
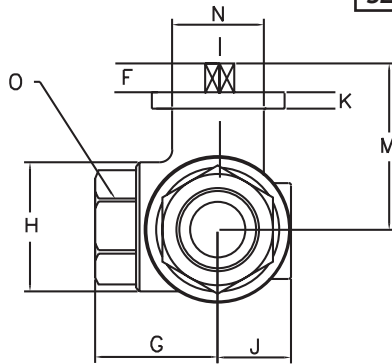
- PNEUMATIC ACTUATORS**
- Rack and pinion design
 - Spring return or double acting
 - open and closed adjustment stops
 - true NAMUR accessory mounting
 - visual indicator

- ELECTRIC ACTUATORS**
- 120VAC, 220VAC, 24VAC, 12VDC, 24VDC
 - NEMA 4 and NEMA 7 enclosures
 - Manual override
 - visual indicator

NOTE: Maximum temperature rating for standard actuators is 150° F (electric) and 180° (pneumatic). Special seals or heat extensions are available for high temperature service.

For more information on BI-TORQ[®] actuators, please refer to brochures PN-2007 and EL-2008, or www.bitorq.com

SEE PAGE 31 FOR AVAILABLE FLOW PATTERNS



DIMENSIONAL DATA

SIZE	ISO 5211	A	B	C	D	E	F	G	H	J	K	M	O	CV	PSI	WT.
1/4"	F03	0.354	0.23	1.41	0.39	2.64	0.27	1.31	1.33	0.76	0.19	1.20	0.86	3.26	400	0.97
3/8"	F03	0.354	0.23	1.41	0.43	2.64	0.27	1.31	1.33	0.76	0.19	1.20	0.86	3.50	400	0.97
1/2"	F03	0.354	0.23	1.41	0.43	2.87	0.27	1.31	1.33	0.76	0.19	1.20	1.06	4.20	400	1.15
3/4"	F03	0.354	0.23	1.41	0.59	3.19	0.27	1.59	1.53	0.86	0.19	1.27	1.25	7.00	400	1.80
1"	F05	0.433	0.27	1.96	0.78	3.74	0.35	1.87	1.88	1.00	0.27	1.69	1.61	12.83	400	3.33
1-1/4"	F05	0.433	0.27	1.96	0.98	4.39	0.35	2.20	2.36	1.22	0.27	1.83	1.96	18.67	400	5.33
1-1/2"	F05	0.433	0.27	1.96	1.26	4.86	0.42	2.87	3.38	1.48	0.27	2.40	2.16	29.75	400	8.66
2"	F07	0.551	0.35	2.76	1.57	5.72	0.42	2.87	3.38	1.75	0.31	2.76	2.75	43.76	400	10.10
2-1/2"	F07	0.551	0.35	2.76	1.95	6.93	0.51	3.47	4.37	2.20	0.32	3.86	3.34	70	400	16.33
3"	F07	0.551	0.35	2.76	1.95	7.08	0.51	3.54	4.45	2.20	0.32	3.86	4.13	70	400	19.55

ALL VALVES ARE 100% ELECTRONICALLY TESTED AT 80 PSI IN BOTH THE OPEN AND CLOSED POSITIONS