



IP-SERIES 2-PIECE BRASS BALL VALVES

BILL OF MATERIALS

PART #	NAME	MATERIAL	OPTIONAL MATERIAL	QTY
1	BODY	BRASS UNI 5705-65	N/A	1
2	ENDS	BRASS UNI 5705-65	N/A	2
3	BALL	BRASS UNI 5705-65 CHROME PLATED	316SS	1
4	SEAT	TFE	N/A	2
5	BODY SEAL	VITON	N/A	2
6	STEM SEAL	TFE	N/A	1
7	BODY O-RING	VITON	N/A	2
8	STEM O-RING	VITON	N/A	1
9	STEM NUT	BRASS UNI 5705-65	316SS	1
10	STEM	BRASS UNI 5705-65	316SS	1

VALVE FEATURES

- Full port brass valve 1/4" through 4"
- Optional stainless steel ball & stem 1/2" through 2"
- TFE[®] seats and seals
- Viton[®] body o-rings
- ISO mounting pad
- blowout proof stem
- CE rated
- Vacuum rated to 29 inHg

PRESSURE RATING

600 WOG

TEMPERATURE RATING

+297° F Maximum

NOTE: Maximum temperature rating for standard actuators is 150° F (electric) and 180° (pneumatic). Special seals or heat extensions are available for high temperature service.

For more information on BI-TORQ[®] actuators, please refer to brochures PN-2007 and EL-2008, or www.bitorq.com

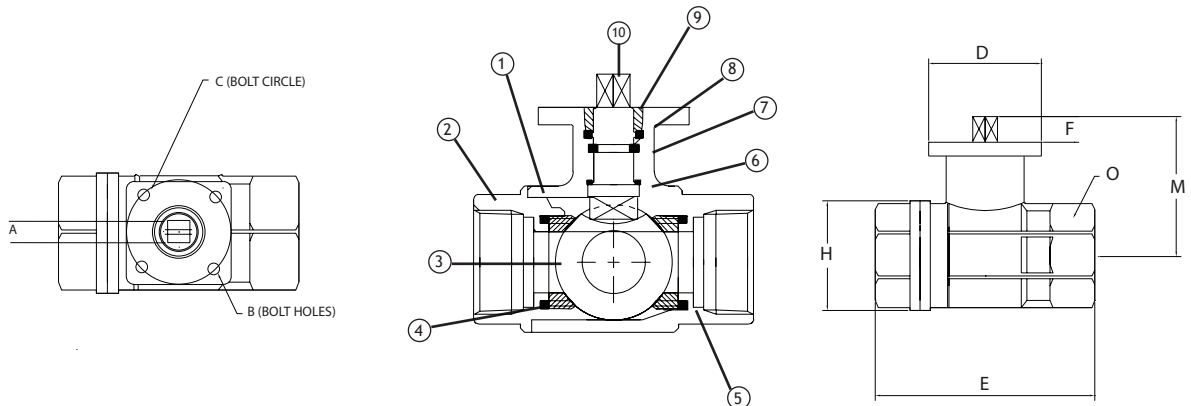
ACTUATOR FEATURES

PNEUMATIC ACTUATORS

- Rack and pinion design
- Spring return or double acting
- open and closed adjustment stops
- true NAMUR accessory mounting
- visual indicator

ELECTRIC ACTUATORS

- 120VAC, 220VAC, 24VAC, 12VDC, 24VDC
- NEMA 4 and NEMA 7
- Manual override
- visual indicator



DIMENSIONAL DATA

SIZE	ISO 5211	A	B	C	D	E	F	H	M	O	CV	PSI	WT.
1/4"	F03	0.354	0.21	1.42	1.49	2.63	0.27	1.31	1.20	1.06	6.3	600	0.68
3/8"	F03	0.354	0.21	1.42	1.49	2.63	0.27	1.31	1.20	1.06	7	600	0.78
1/2"	F03	0.354	0.21	1.42	1.49	2.60	0.27	1.31	1.20	1.06	19	600	0.82
3/4"	F03	0.354	0.21	1.42	1.49	2.93	0.27	1.57	1.27	1.25	19	600	0.91
1"	F03	0.354	0.21	1.41	1.49	3.56	0.35	1.92	1.69	1.61	34.5	600	1.35
1-1/4"	F03	0.551	0.21	1.97	1.49	4.09	0.35	2.30	1.83	1.96	50.2	600	2.22
1-1/2"	F05	0.551	0.25	1.97	1.96	4.61	0.42	2.81	2.40	2.16	268.4	600	3.17
2"	F05	0.551	0.25	1.97	1.96	5.31	0.42	3.60	2.76	2.75	309.3	600	5.48
2-1/2"	F07	0.551	0.25	2.76	2.75	6.10	0.59	4.45	3.34	3.54	629.5	600	8.66
3"	F07	0.551	0.33	2.76	2.75	6.89	0.59	5.31	3.72	4.13	944.5	600	13.68
4"	F07	0.669	0.33	2.76	2.75	8.86	0.70	6.53	4.56	5.11	1493	600	16.87

ALL VALVES ARE 100% ELECTRONICALLY TESTED AT 80 PSI IN BOTH THE OPEN AND CLOSED POSITIONS