

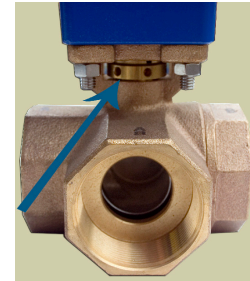


AUTOMATED FULL PORT 3-WAY BRONZE BALL VALVES

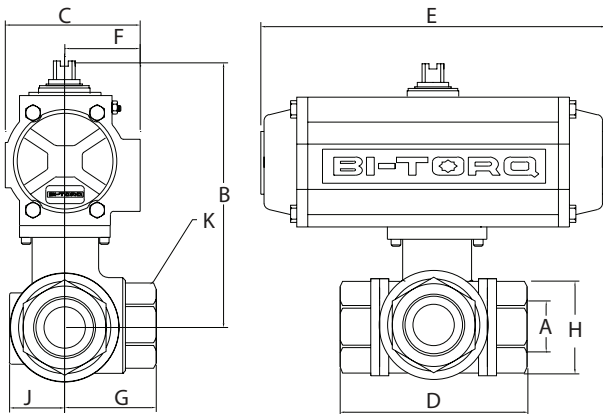


- Full Port Multi-Port Bronze Ball Valves
1/2" through 2"* NPT (*2" standard port)
- L-port and T-port configurations
- Direct Mount for Low-Profile,
Cost-Efficient Operations
- Electric and Pneumatic Actuators
- 600 WOG/15 PSI Low Pressure Steam
(thru 1-1/4" size; 1-1/2" and 2" 400WOG)
- Optional Handle for Manual Operation

**FULLY ADJUSTABLE
PACKING WITHOUT
REMOVING ACTUATOR**



PNEUMATIC ACTUATORS



ALL STANDARD PNEUMATIC ACTUATORS SIZED FOR 80 PSI SUPPLY; PLEASE CONSULT OUR SALES STAFF FOR OTHER COMBINATIONS.

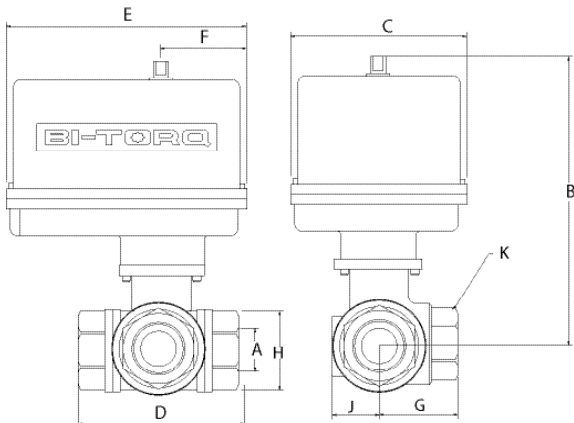
DOUBLE ACTING

	1/2"	3/4"	1"	1-1/4"	1-1/2"	2"
A	1.77	1.77	2.80	2.80	2.80	3.17
B	4.05	4.37	5.63	5.82	6.51	6.51
C	1.77	1.77	2.80	2.80	2.80	3.17
D	2.72	3.21	3.88	4.41	4.84	5.08
E	4.33	4.33	5.49	5.49	5.49	6.38
F	0.89	0.89	1.61	1.61	1.61	1.77
ACT.	32DA	32DA	52DA	52DA	52DA	63DA
WT.	2.20	2.85	5.63	7.63	9.63	12.01

SPRING RETURN

	1/2"	3/4"	1"	1-1/4"	1-1/2"	2"
A	1.61	1.61	1.77	1.77	2.07	2.30
B	5.11	5.41	6.07	6.26	7.60	8.05
C	2.80	2.80	3.17	3.17	3.72	4.17
D	2.72	3.21	3.88	4.41	4.84	5.08
E	5.49	5.49	6.38	6.38	8.15	9.35
F	1.61	1.61	1.77	1.77	2.07	2.30
ACT.	52SR	52SR	63SR	63SR	75SR	85SR
WT.	3.80	4.45	7.28	9.28	15.71	19.60

ELECTRIC ACTUATORS



	1/2"	3/4"	1"	1-1/4"	1-1/2"	2"
A	6.47	6.79	7.98	8.15	8.86	8.86
B	4.00	4.00	4.25	4.25	4.25	4.25
C	4.00	4.00	4.25	4.25	4.25	4.25
D	2.72	3.21	3.88	4.41	4.84	5.08
E	5.63	5.63	6.88	6.88	6.88	6.88
F	2.31	2.31	2.43	2.43	2.43	2.43
ACT.	100E	100E	200E	200E	200E	300E
WT.	6.15	6.80	10.33	12.33	15.66	17.10

ALL ELECTRIC ACTUATOR DIMENSIONS ARE FOR NEMA 4 ENCLOSURES. FOR NEMA 7 ENCLOSURE DIMENSIONS, PLEASE CONSULT OUR SALES STAFF.



IZ-3W SERIES 3-WAY BRONZE BALL VALVES

BILL OF MATERIALS

PART #	NAME	MATERIAL	QTY
1	BODY	BRONZE	1
2	BALL	CHROME PLATED BRASS	1
3	STEM PACKING	PTFE	1
4	PACKING GLAND	BRASS	1
5	STEM	BRASS	1
6	SEAT BACKING	EPDM	1
7	BALL SEAT	PTFE	2
8	STEM SEAL	PTFE	1
9	O-RING	BUNA-N	2
10	MOUNTING PAD	BRONZE	1

VALVE FEATURES

- Full port bronze valve 1/2" through 1-1/2" 2": standard port
- TFE[®] seats with EPDM backing
- EPDM body o-rings
- ISO mounting pad
- blowout proof stem
- manual handle option

PRESSURE RATING

600 WOG thru 1-1/4"
400WOG thru 1-1/2" thru 2"

TEMPERATURE RATING

+297° F Maximum

ACTUATOR FEATURES

PNEUMATIC ACTUATORS

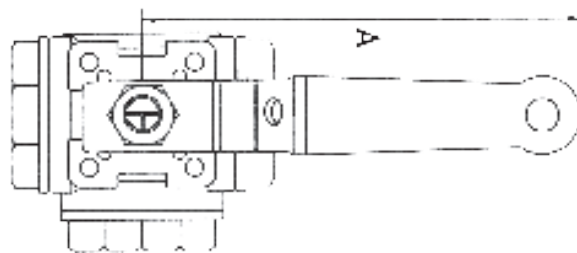
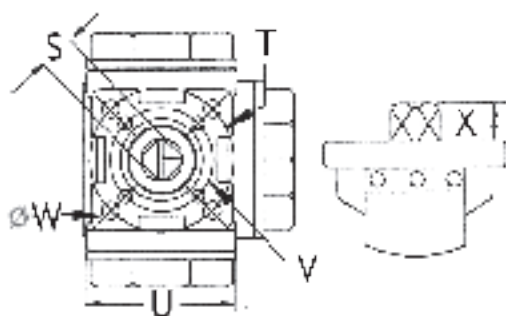
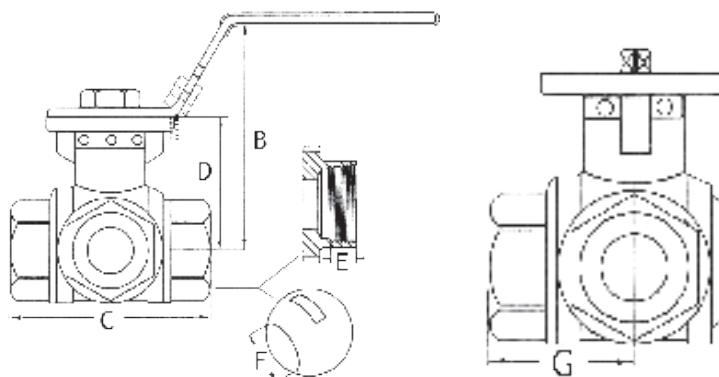
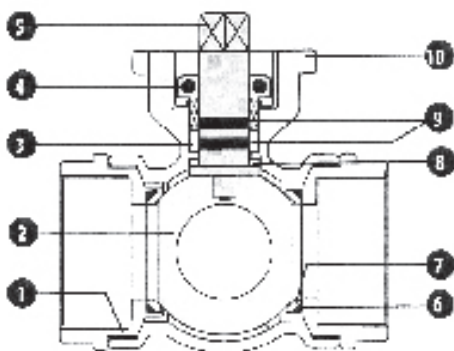
- Rack and pinion design
- Spring return or double acting
- open and closed adjustment stops
- true NAMUR accessory mounting
- visual indicator

ELECTRIC ACTUATORS

- 120VAC, 220VAC, 24VAC, 12VDC, 24VDC
- NEMA 4 and NEMA 7
- Manual override
- visual indicator

NOTE: Maximum temperature rating for standard actuators is 150° F (electric) and 180° (pneumatic). Special seals or heat extensions are available for high temperature service.

For more information on BI-TORQ[®] actuators, please refer to brochures PN-2007 and EL-2008, or www.bitorq.com



DIMENSIONAL DATA

SIZE	ISO 5211	A	B	C	D	E	F	G	S	T	U	V	W	X
1/2"	F03/F04	4.92	2.81	2.72	1.59	0.61	0.59	1.36	0.354	1.65	1.65	1.41	0.24	0.37
3/4"	F03/F04	4.92	3.08	3.21	1.91	0.75	0.75	1.61	0.354	1.65	1.65	1.41	0.24	0.41
1"	F04/F05	5.51	3.21	3.88	2.11	0.87	0.94	1.94	0.433	1.97	1.97	1.65	0.24/0.26	0.45
1-1/4"	F04/F05	5.51	3.41	4.41	2.30	0.91	1.22	2.20	0.433	1.97	1.97	1.65	0.24/0.26	0.45
1-1/2"	F05/F07	5.51	4.19	4.86	2.99	0.91	1.42	2.42	0.551	2.76	2.76	1.97	0.26/0.33	0.58
2"	F05/F07	5.51	4.55	5.08	2.99	1.02	1.42	2.53	0.551	2.76	2.76	1.97	0.26/0.33	0.58