

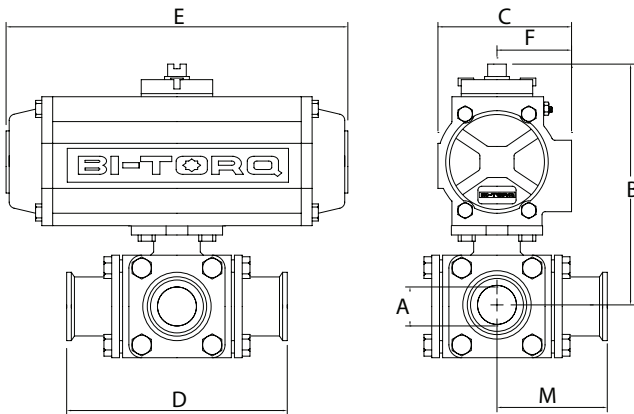


AUTOMATED 3-WAY SANITARY CLAMP END BALL VALVES



- Stainless Steel Sanitary Ball Valve
1/2" through 2" clamp end
- 3-way design with options for L-port and T-port configurations
- ISO Mounting Pad for Easy Actuation
- Electric and Pneumatic Actuators
- Clamp ends and cavity fillers ideal for food, beverage and pharmaceutical applications

PNEUMATIC ACTUATORS



ALL STANDARD PNEUMATIC ACTUATORS SIZED FOR 80 PSI SUPPLY; PLEASE CONSULT OUR SALES STAFF FOR OTHER COMBINATIONS

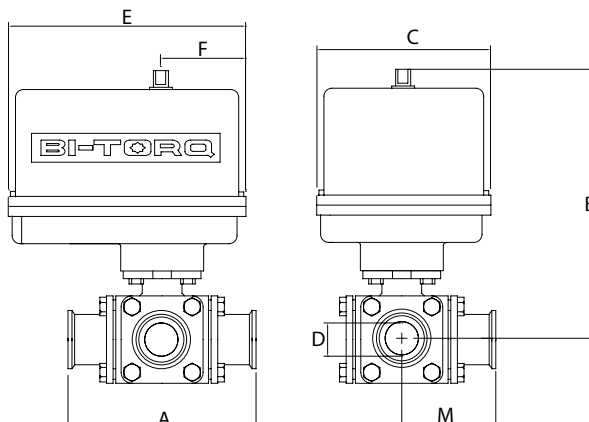
DOUBLE ACTING

	1/2"	3/4"	1"	1-1/2"	2"
A	1/2"	3/4"	1"	1-1/2"	2"
B	4.92	5.06	5.85	6.89	7.74
C	2.79	2.79	3.17	3.72	4.17
D	4.65	5.00	6.00	6.89	7.48
E	5.49	5.49	6.38	8.15	9.35
F	1.61	1.61	1.77	2.07	2.30
M	2.32	2.50	3.00	3.44	3.74
ACT.	52DA	52DA	63DA	75DA	85DA
WT.	5.86	6.61	10.08	18.40	30.45

SPRING RETURN

	1/2"	3/4"	1"	1-1/2"	2"
A	1/2"	3/4"	1"	1-1/2"	2"
B	4.92	8.49	6.50	9.03	9.94
C	2.79	3.17	3.72	5.39	5.39
D	4.65	5.00	6.00	6.89	7.48
E	5.49	6.38	8.15	12.91	12.91
F	1.61	1.77	2.07	2.87	2.87
M	2.32	2.50	3.00	3.44	3.74
ACT.	52SR	63SR*	75SR	115SR	115SR
WT.	6.23	11.33	13.76	36.81	46.98

ELECTRIC ACTUATORS



	1/2"	3/4"	1"	1-1/2"	2"
A	1/2"	3/4"	1"	1-1/2"	2"
B	6.27	6.41	7.76	10.08	10.48
C	4.00	4.00	4.25	7.00	7.00
D	4.65	5.00	6.00	6.89	7.48
E	5.63	5.63	6.88	7.00	7.00
F	2.31	2.31	2.43	2.38	2.38
M	2.32	2.50	3.00	3.44	3.74
ACT.	100E	100E	200E	400E**	1000E**
WT.	8.61	11.36	13.82	25.89	36.06

*INCLUDES MOUNTING KIT; **INCLUDES DECLUTCHABLE MANUAL OVERRIDE

ALL ELECTRIC ACTUATOR DIMENSIONS ARE FOR NEMA 4 ENCLOSURES. FOR NEMA 7 ENCLOSURE DIMENSIONS, PLEASE CONSULT OUR SALES STAFF.



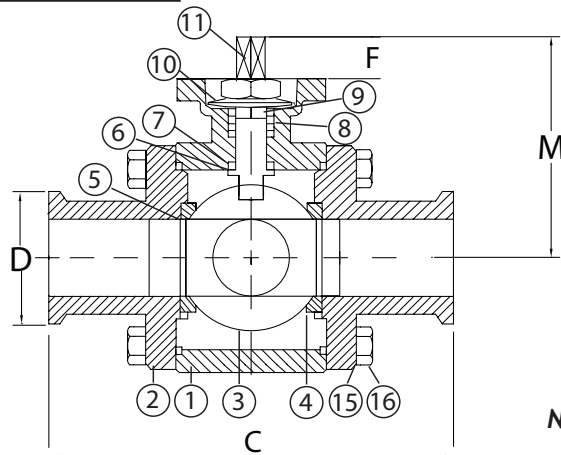
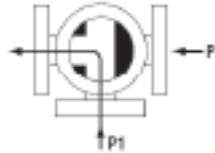
IS-3WTC SERIES SANITARY BALL VALVES

BILL OF MATERIALS

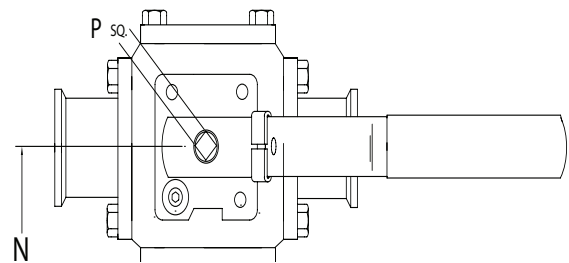
PART #	NAME	MATERIAL	QTY
1	BODY	CF8M	1
2	END CAP	CF8M	2
3	BALL	CF8M	1
4	SEAT	PTFE	2
5	GASKET	PTFE	2
6	THRUST WASHER	PTFE	1
7	O-RING	VITON	1
8	STEM PACKING	PTFE	1
9	PACKING RING	316 SS	1
10	BEVEL WASHER	301 SS	2
11	STEM	316 SS	1

Application Limitation (Floating Valve Design)

Referring to the diagram on the right, there is a limitation on the differential pressure between flow P2 and P1. Where P2>P1, leakage from P2 to P1 could occur. The same logic follows for other L/T flow patterns.



**SEE PAGE 31 FOR AVAILABLE
FLOW PATTERNS**



NOTE: not suitable for vacuum service

VALVE FEATURES

- 3-Way sanitary valve 1/2" through 2"
- 240 grit bore polish
- cavity filled TFE® seats to reduce the threat of media entrapment
- Block body and bolted end piece design for easy maintenance
- Polished clamp end to meet BS 4825.3

PRESSURE RATING
1000 WOG (valve body)
200 PSI operating

TEMPERATURE RATING
+450° F Maximum CWP
-40° F minimum

NOTE: Maximum temperature rating for standard actuators is 150° F (electric) and 180° (pneumatic). Special seals or heat extensions are available for high temperature service.

For more information on BI-TORQ® actuators, please refer to brochures PN-2010-1 and EL-2011-1, or www.bitorq.com.

ACTUATOR FEATURES

PNEUMATIC ACTUATORS

- Rack and pinion design
- Spring return or double acting
- open and closed adjustment stops
- true NAMUR accessory mounting
- visual indicator

ELECTRIC ACTUATORS

- 120VAC, 220VAC, 24VAC, 12VDC, 24VDC
- NEMA 4 and NEMA 7 enclosures
- Manual override
- visual indicator

DIMENSIONAL DATA

SIZE	ISO 5211	C	D	F	M	N	P	PSI	WT.
1/2"	F03-F04	4.65	1.00	0.354	1.75	2.32	0.354	1000	3.61
3/4"	F03-F04	5.00	1.00	0.354	1.89	2.50	0.354	1000	4.36
1"	F04-F05	6.00	1.98	0.433	2.32	3.00	0.433	1000	6.82
1-1/2"	F05-F07	6.89	1.98	0.551	2.83	3.44	0.551	1000	12.89
2"	F05-F07	7.48	2.52	0.551	3.23	3.74	0.551	1000	23.06

ALL VALVES ARE 100% ELECTRONICALLY TESTED AT 80 psi IN BOTH THE OPEN AND CLOSED POSITIONS