

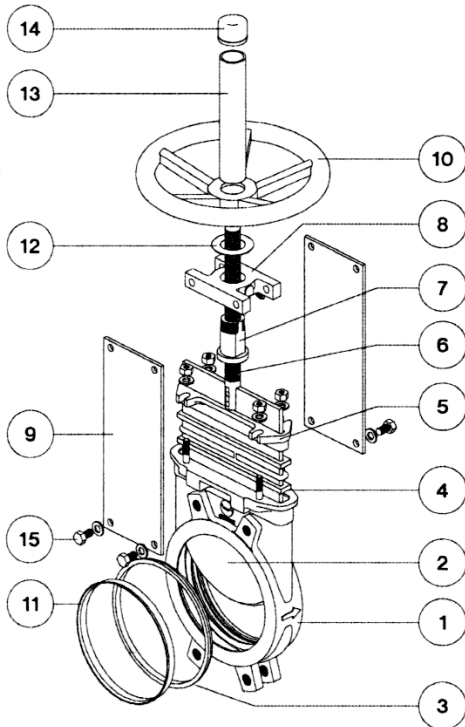
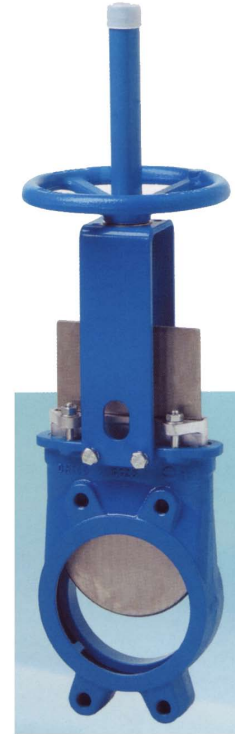
**SERIES 10 WAFER STYLE KNIFE GATE VALVE**

The SERIES 10 knife gate is a uni-directional wafer valve designed for industrial service applications. The design of the valve allows for a tight shutoff in services with solids in suspension. Industries served include:

- Pulp and Paper
- Chemical Plants
- Food and Beverage
- Mining
- Wastewater treatment
- Bulk Handling

**Series 10**

Applications	General Service (solid loaded fluids such as pulp and paper, wastewater and material solids)
Sizes	2" to 48" (DN50 to DN1200)
Working Pressure	2"-10": 150PSI 12"-16": 90PSI 18": 75PSI 20"-24": 60PSI 28"-48": 30PSI
Flange Drilling	ANSI 150 PN10



PART #	DESCRIPTION	MATERIAL	OPTIONAL MATERIAL
1	BODY	CAST IRON	CF8M SS
2	GATE	AISI 304	AISI 316
3	SEAT	METAL	EPDM, BUNA-N, TFE
4	PACKING	AH	NT
5	GLAND FOLLOWER	ALUMINUM (THRU 12" S.G. IRON (14"-40"))	CF8M SS
6	STEM	AISI 303	AISI 303
7	STEM NUT	BRONZE	BRONZE
8	YOKE	CARBON STEEL (2"-6") CAST IRON (8"-40")	CARBON STEEL (2"-6") CAST IRON (8"-40")
9	SUPPORT PLATES	EPOXY COATED CARBON STEEL	EPOXY COATED CARBON STEEL
10	HANDWHEEL	STEEL (2"-12") CAST IRON (14"-40")	STEEL (2"-12") CAST IRON (14"-40")
11	SEAT RETAINER RING	AISI 304	AISI 316
12	THRUST WASHER	BRONZE	BRONZE
13	STEM PROTECTOR	EPOXY COATED CARBON STEEL	EPOXY COATED CARBON STEEL
14	CAP	PLASTIC	PLASTIC