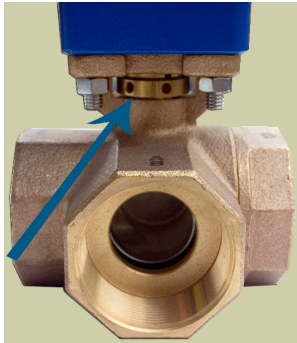


**3-WAY BRONZE FULL PORT BALL VALVE**

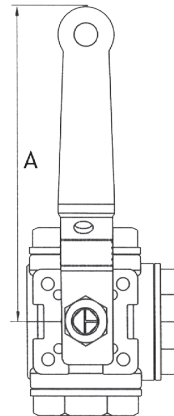
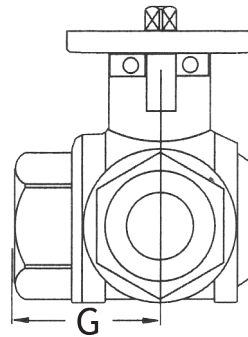
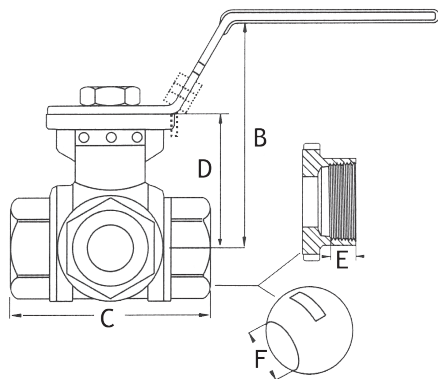
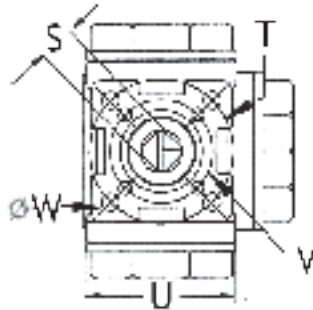


**FULLY ADJUSTABLE PACKING NUT  
WITHOUT REMOVING HANDLE**

**PRESSURE RATING**  
1/2"-1-1/4": 600 WOG  
1-1/2"-2": 400 WOG  
**TEMPERATURE RATING**  
+320° F Maximum CWP

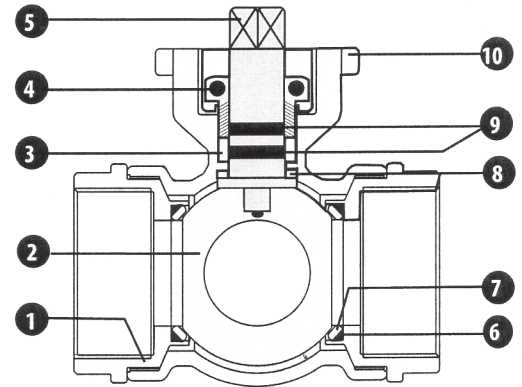
**VALVE FEATURES**

- 3-way L or T port bronze
- 1/2" through 2"
- Blow-out proof stem
- Full port 1/2" thru 1-1/2"
- Triple stem seal
- PTFE seats with EPDM backing for low torque
- 4-Seat design
- Lockable lever handle
- ISO 5211 mounting pad



**BILL OF MATERIALS**

PART #	NAME	MATERIAL	QTY
1	BODY	BRONZE	1
2	BALL	CHROME PLATED BRONZE	1
3	STEM PACKING	PTFE	1
4	PACKING GLAND	BRONZE	1
5	STEM	BRONZE	1
6	SEAT BACKING	EPDM	1
7	BALL SEAT	PTFE	2
8	STEM SEAL	PTFE	1
9	O-RING	EPDM	2
10	MOUNTING PAD	BRONZE	1



SIZE	CV	WT.	TORQUE
1/2"	11	0.99	35
3/4"	27	1.87	41
1"	47	2.85	53
1-1/4"	114	3.78	87
1-1/2"	161	7.00	125
2"	161	9.89	135

**DIMENSIONAL DATA**

SIZE	ISO 5211	A	B	C	D	E	F	G	S	T	U	V	W	X
1/2"	F03/F04	4.92	2.81	2.72	1.59	0.61	0.59	1.36	0.354	1.65	1.65	1.41	0.24	0.37
3/4"	F03/F04	4.92	3.08	3.21	1.91	0.75	0.75	1.61	0.354	1.65	1.65	1.41	0.24	0.41
1"	F04/F05	5.51	3.21	3.88	2.11	0.87	0.94	1.94	0.433	1.97	1.97	1.65	0.24/0.26	0.45
1-1/4"	F04/F05	5.51	3.41	4.41	2.30	0.91	1.22	2.20	0.433	1.97	1.97	1.65	0.24/0.26	0.45
1-1/2"	F05/F07	6.89	4.19	4.84	2.99	0.91	1.42	2.42	0.433	2.76	2.76	1.97	0.26/0.33	0.58
2"	F05/F07	6.89	4.55	5.08	2.99	1.02	1.42	2.53	0.433	2.76	2.76	1.97	0.26/0.33	0.58