

3-WAY PVC AND POLYPROPYLENE BALL VALVE

PRESSURE RATING
235PSI at 73° through
2" for standard valve
TEMPERATURE RATING
varies with o-ring
material (EPDM, Viton[®],
BUNA-N)

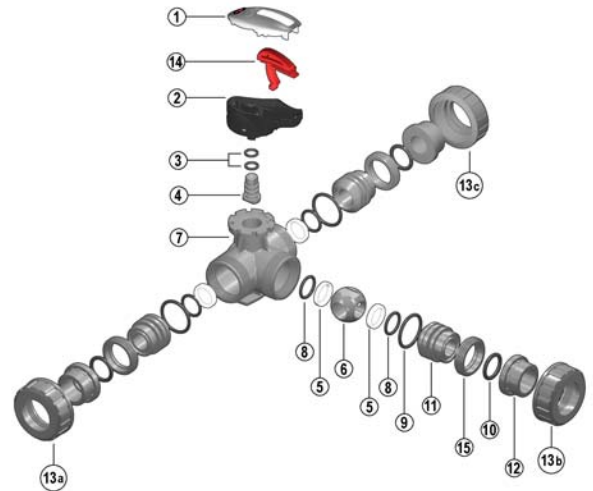
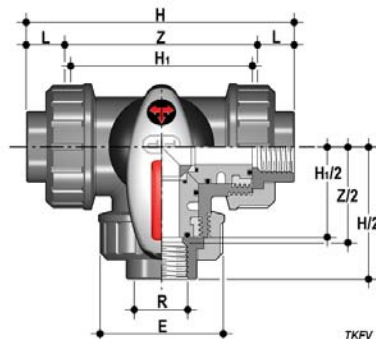
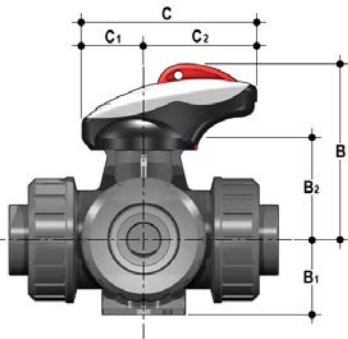


VALVE FEATURES

- Heavy-duty PVC ball valve
- 1/2" through 2"
- threaded, socket or flanged ends
- 4-seat design for high cycle applications
- ISO 5211 mounting pad for direct actuation

BILL OF MATERIALS

PART #	NAME	MATERIAL	QTY
1	INSERT TOOL	PVC	1
2	HANDLE	PVC	1
3	STEM O-RING	EPDM OR VITON [®]	1
4	STEM	PVC	1
5	BALL SEAT	PTFE	4
6	BALL	PVC	1
7	BODY	PVC	1
8	BACKING O-RING	EPDM OR VITON [®]	4
9	BODY O-RING	EPDM OR VITON [®]	3
10	SOCKET O-RING	EPDM OR VITON [®]	3
11	BALL SEAT SUPPORT	PVC	3
12	END CONNECTOR	PVC	3
13	UNION NUT	PVC	3
14	BLOCKING BUTTON	POM	1
15	STOP RING	PVC	3



DIMENSIONAL DATA

SIZE	ISO 5211	B	B1	B2	C	C1	C2	d	E	H	H1	L	R	Z	WEIGHT (LBS.)
1/2"	F04	3.44	1.30	1.97	3.29	1.16	2.13	0.84	2.17	5.20	3.15	0.91	0.50	3.56	0.77
3/4"	F05	3.88	1.54	2.22	3.86	1.40	2.46	1.05	2.60	6.27	3.94	1.00	0.75	4.26	1.32
1"	F05	4.17	1.77	2.42	4.13	1.46	2.68	1.32	2.95	6.85	4.33	1.13	1.00	4.59	1.87
1-1/4"	F07	5.31	2.01	3.01	5.49	2.01	3.48	1.66	3.43	8.07	5.16	1.66	1.25	5.55	2.98
1-1/2"	F07	5.47	2.24	3.17	5.49	2.01	3.48	1.90	3.94	8.96	5.83	1.38	1.50	6.20	3.86
2"	F07	6.26	2.72	3.84	6.06	2.01	4.06	2.38	4.80	10.51	7.05	1.38	2.00	7.66	6.50