

2-PIECE STAINLESS STEEL BALL VALVE



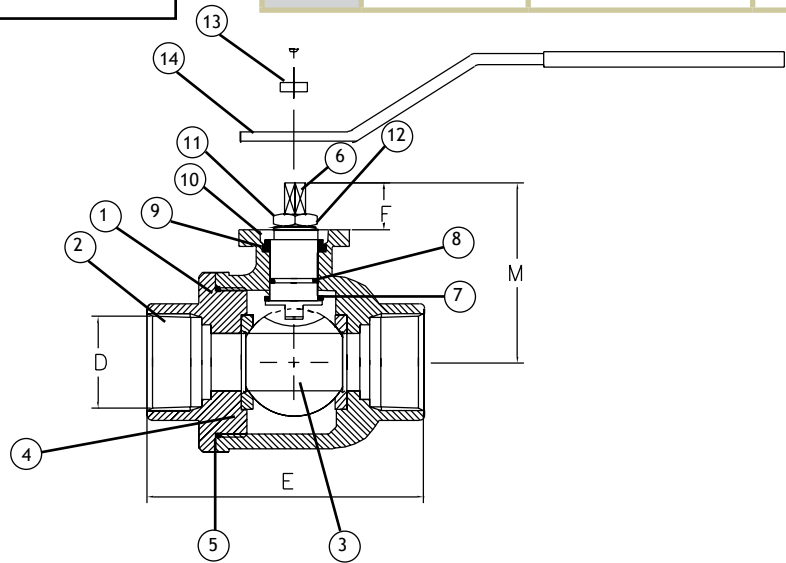
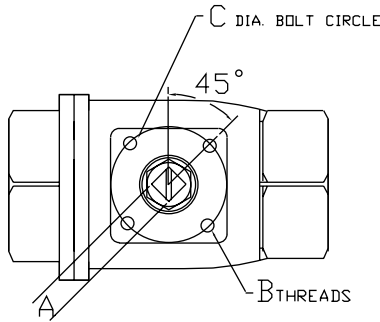
PRESSURE RATING
1000PSI
TEMPERATURE RATING
+450° F Maximum CWP
366° F Steam Maximum

VALVE FEATURES

- Full port SS valve
- 1/4" through 3"
- Blow-out proof stem
- RTFE seats and TFE seals
- spring loaded belleville washers
- adjustable stem packing
- ISO 5211 mounting pad for direct mount actuation

BILL OF MATERIALS

PART #	NAME	MATERIAL	QTY
1	BODY	ASTM A351 CF8M	1
2	ENDS	ASTM A351 CF8M	2
3	BALL	316SS	1
4	SEAT	RTFE	2
5	BODY SEAL	PTFE	1
6	STEM	316SS	1
7	THRUST WASHER	PTFE	1
8	STEM PACKING	PTFE	1
9	GLAND NUT	304SS	1
10	BELLEVILLE WASHER	304SS	2
11	PACKING NUT	304SS	1
12	LOCK WASHER	304SS	1
13	HANDLE NUT	304SS	1
14	HANDLE	304SS	1



DIMENSIONAL DATA

SIZE	ISO 5211	A	B	C	D	E	F	M	CV	PSI	WEIGHT (LBS.)
1/4"	F03-F04	0.354	0.28	1.42/1.65	0.45	2.56	0.29	1.98	10	1000	0.88
3/8"	F03-F04	0.354	0.28	1.42/1.65	0.48	2.56	0.29	1.98	12	1000	0.88
1/2"	F03-F04	0.354	0.28	1.42/1.65	0.59	2.95	0.34	1.98	15	1000	0.95
3/4"	F03-F04	0.354	0.28	1.42/1.65	0.79	3.15	0.34	2.08	38	1000	1.45
1"	F04-F05	0.433	0.28	1.65/1.97	1.00	3.54	0.43	2.42	65	1000	2.36
1-1/4"	F04-F05	0.433	0.28	1.65/1.97	1.25	4.33	0.43	2.62	118	1000	3.50
1-1/2"	F05-F07	0.551	0.28/0.35	1.97/2.76	1.50	4.72	0.55	3.14	195	1000	4.21
2"	F05-F07	0.551	0.28/0.35	1.97/2.76	1.97	5.51	0.55	3.69	320	1000	7.90
2-1/2"	F07-F10	0.669	0.35	2.76/4.02	2.56	7.28	0.70	3.90	386	1000	17.60
3"	F07-F10	0.669	0.35	2.76/4.02	3.15	8.07	0.70	4.37	600	1000	25.30