

150# ANSI FLANGED BALL VALVE



PRESSURE RATING
Class 150 flanged
TEMPERATURE RATING
+450° F Maximum
366° F Steam Maximum

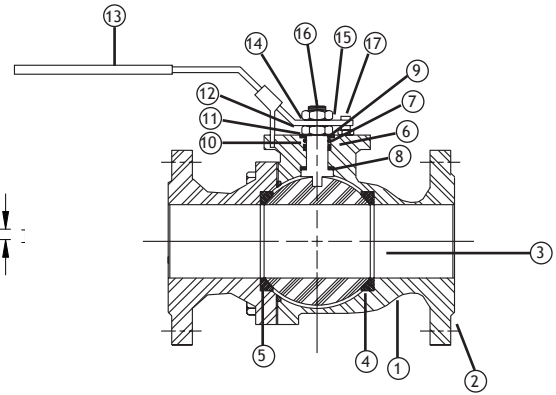
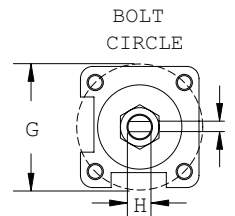
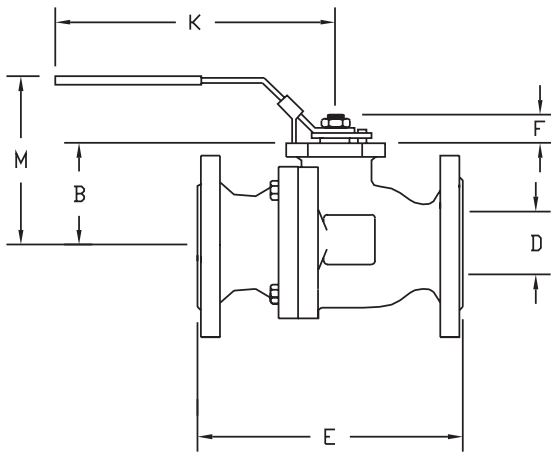
VALVE FEATURES

- ANSI 150# flanged SS valve
- 1/2" through 4"
- Blow-out proof stem
- RTFE seats and seals
- designed to ANSI B16.34 flange standards
- self-adjusting stem packing
- ISO 5211 mounting pad

BILL OF MATERIALS

PART #	NAME	MATERIAL	QTY
1	BODY	ASTM A351 CF8M	1
2	ENDS	ASTM A351 CF8M	2
3	BALL	ASTM A351 CF8M	1
4	SEAT	RTFE	2
5	BODY SEAL	RTFE	1
6	STEM	ASTM A276 TYPE 316	1
7	THRUST WASHER	50% TFE + 50% SS POWDER	1
8	STEM PACKING	PTFE	1
9	O-RING	FKM (VITON [®])	1
10	BELLEVILLE WASHER	304SS	1
11	PACKING NUT	304SS	1
12	LOCK WASHER	304SS	1
13	HANDLE WASHER	304SS	1
14	HANDLE NUT	304SS	1
15	HANDLE	304SS*	1
16	STEM	ASTM A276 TYPE 316	1

*handle for 2" and larger is plated steel



DIMENSIONAL DATA

SIZE	ISO 5211	B	D	E	F	G	H	I	K	M	CV	PSI	WEIGHT (LBS.)
1/2"	F04	1.51	0.59	4.25	0.730	1.42	0.472	0.248	5.90	3.53	15	4	4
3/4"	F04	1.63	0.78	4.62	0.750	1.42	0.472	0.248	5.90	3.88	40	6	6
1"	F05	1.96	0.98	5.00	0.937	1.97	0.511	0.315	7.08	4.25	70	8	8
1-1/4"	F05	1.97	1.25	5.50	0.875	1.97	0.511	0.315	7.08	4.62	130	12	12
1-1/2"	F07	2.61	1.57	6.50	1.165	2.76	0.525	0.374	8.26	5.00	240	16	16
2"	F07	2.95	1.96	7.00	1.165	2.76	0.525	0.374	8.26	6.00	400	21	21
2-1/2"	F07	3.52	2.55	7.50	1.690	2.76	1.140	0.669	10.23	7.00	700	38	38
3"	F10	4.23	3.14	8.00	1.915	4.02	1.140	0.669	10.23	7.50	980	46	46
4"	F10	4.84	3.93	9.00	1.910	4.02	1.140	0.669	12.20	9.00	1700	73	73