

STAINLESS STEEL FULL PORT 3-WAY BALL VALVE (NPT)



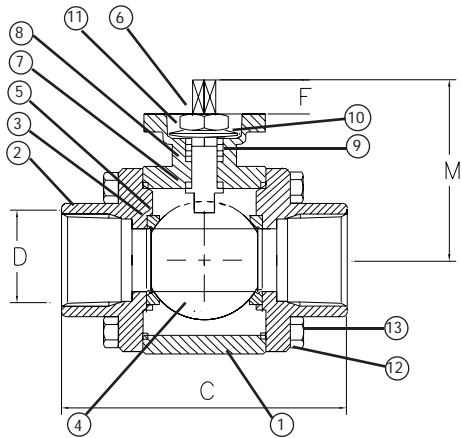
PRESSURE RATING
1000PSI
TEMPERATURE RATING
+450° F Maximum CWP
-40° F Minimum CWP

BILL OF MATERIALS

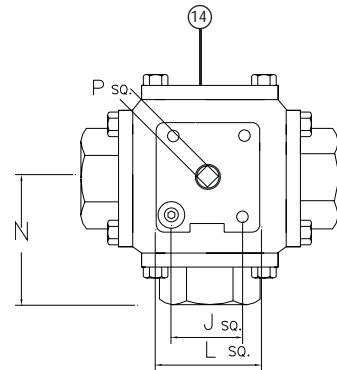
PART #	NAME	MATERIAL	QTY
1	BODY	316SS	1
2	END CONNECTION	316SS	3
3	BODY SEAL	PTFE	4
4	BALL	316SS	1
5	SEATS	RTFE	4
6	STEM	316SS	1
7	THRUST WASHER	PTFE	1
8	STEM PACKING	PTFE	1
9	GLAND	304SS	1
10	BELLEVILLE WASHER	304SS	2
11	PACKING NUT	304SS	1
12	SPRING WASHER	304SS	1
13	BODY BOLTS	304SS	1
14	BLANK CAP	316SS	1

VALVE FEATURES

- Full port, heavy duty construction multi-port ball valve
- 1/2" through 2"
- L-port and T-port
- 4-seat design for high cycle applications
- NPT or socket weld
- ISO 5211 mounting pad for direct mount actuation



NOTE: not suitable for vacuum service



DIMENSIONAL DATA

SIZE	ISO 5211	B	C	D	F	J	L	M	N	P	PSI	WEIGHT (LBS.)
1/2"	F03-04	3.50	3.78	0.50	0.30	1.42	1.65	2.26	1.89	0.354	1000	3.90
3/4"	F04-05	3.86	4.21	0.75	0.37	1.65	1.97	2.72	2.11	0.433	1000	5.65
1"	F04-05	4.02	4.96	1.00	0.43	1.65	1.97	2.93	2.48	0.433	1000	8.85
1-1/4"	F05-07	4.67	5.24	1.25	0.65	1.97	2.76	3.78	2.62	0.551	1000	11.90
1-1/2"	F05-07	5.00	5.94	1.50	0.67	1.97	2.76	4.07	2.97	0.551	1000	18.45
2"	F07-10	5.47	6.54	2.00	0.67	2.76	4.02	4.80	3.27	0.669	1000	23.25