

STAINLESS STEEL FULL PORT 3-WAY BALL VALVE (FLANGED)



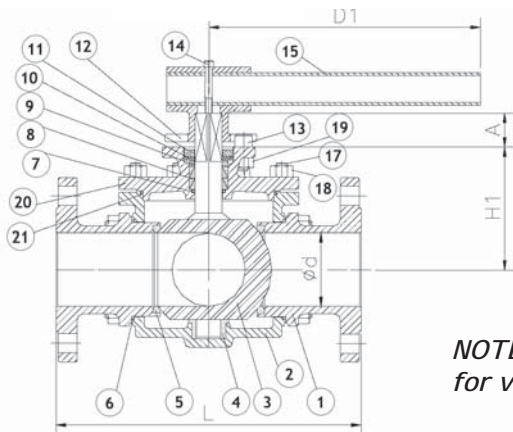
PRESSURE RATING
275PSI (ANSI 150)
TEMPERATURE RATING
+450° F Maximum CWP

VALVE FEATURES

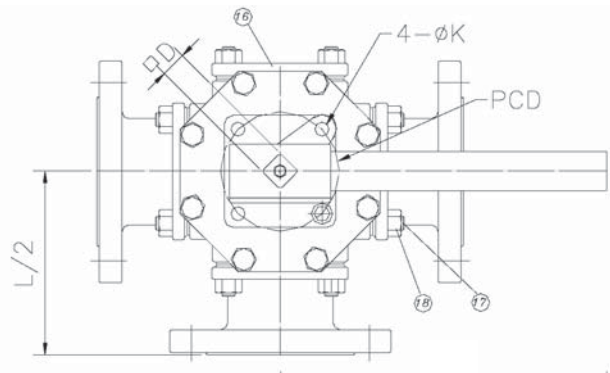
- Maximum flow full port SS multi-port ball valve
- 1/2" through 4"
- ANSI Class 150# ends
- 4-seat design for high cycles
- ISO 5211 mounting pad for actuation
- Ideal for mixing applications

BILL OF MATERIALS

PART #	NAME	MATERIAL	QTY
1	END CAP	CF8M	3
2	BODY	CF8M	1
3	BALL AND STEM	316SS	1
4	BUSHING	PTFE	1
5	SEATS	RTFE THROUGH 2" TFE 2-1/2" - 4"	4
6	BODY SEAL	TFE	4
7	O-RING	VITON®	1
8	STEM PACKING	TFE	1
9	PACKING GLAND	304SS	1
10	BELLEVILLE WASHER	304SS	2
11	GLAND NUT	304SS	1
12	HANDLE NUT	304SS	1
13	STOP PIN	304SS	1
14	HANDLE BOLT	304SS	1
15	HANDLE	304SS	1
16	BLIND CAP	CF8M	1
17, 18, 19	BOLTS AND NUTS	304SS	8
20	BONNET	CF8M	1
21	GASKET	TFE	1



NOTE: not suitable for vacuum service



DIMENSIONAL DATA

SIZE	ISO 5211	d	L	L/2	H1	A	D1	K	D	PSI	WEIGHT (LBS.)
1/2"	F03-04	0.50	5.98	2.99	2.26	0.30	5.71	0.24	0.354	275	8
3/4"	F04-05	0.75	6.57	3.29	2.72	0.37	6.50	0.24	0.433	275	10
1"	F04-05	1.00	7.28	3.64	2.93	0.43	7.68	0.31	0.433	275	15
1-1/4"	F05-07	1.25	7.97	3.98	3.78	0.61	8.12	0.31	0.551	275	22
1-1/2"	F05-07	1.50	8.66	4.33	4.07	0.65	9.84	0.39	0.551	275	29
2"	F07-10	2.00	9.96	4.98	4.78	0.67	12.20	0.39	0.669	275	48
2-1/2"	F10	2.44	11.81	5.91	6.16	0.98	19.69	0.43	0.866	275	55
3"	F10	2.99	12.01	6.00	5.37	0.98	25.59	0.43	0.866	275	71
4"	F10	3.78	14.51	7.25	6.16	0.98	25.59	0.43	0.866	275	118