

**FIRE SAFE BALL VALVE WITH CSA/UL ELECTRIC ACTUATOR**



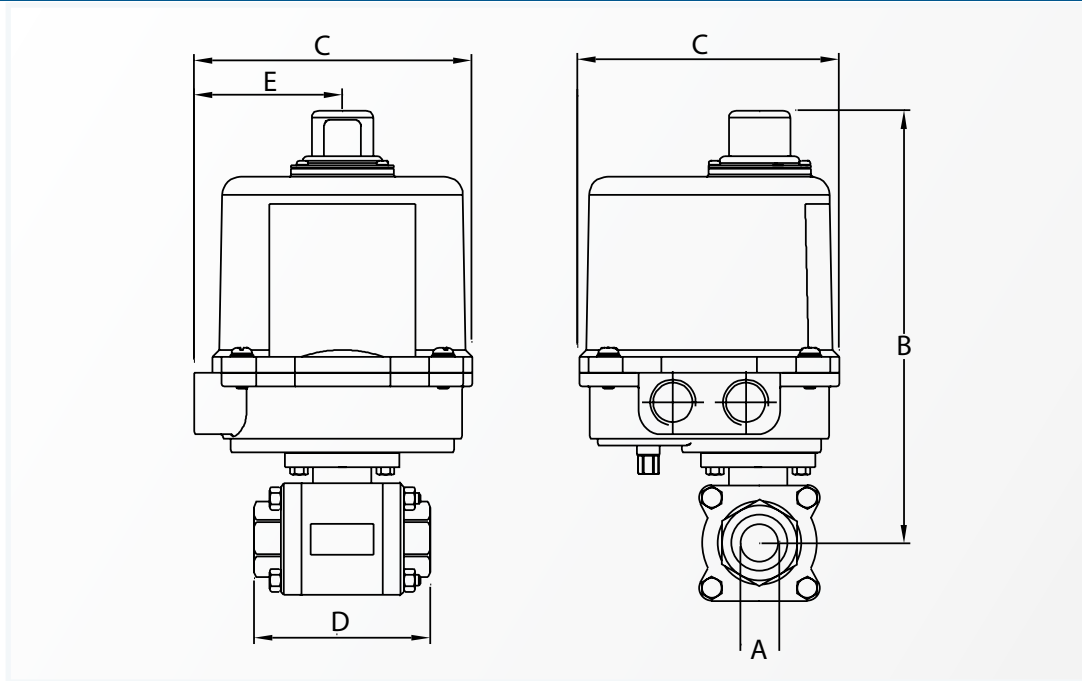
**VALVE FEATURES**

- API607 fire safe certified
- Full Port WCB or SS Ball Valves  
1/2" through 2" NPT
- 2000 PSI rated
- ISO Direct Mount for Low-Profile,  
Cost-Efficient Operations
- NPT, socket weld or butt weld end
- High-performance seat design

**ACTUATOR FEATURES**

- CSA/UL Listed
- AC and DC voltages
- ISO Mounting
- open-close, jogging or modulating  
service options
- Clutchless manual override for  
emergency operation
- Standard NEMA 4X enclosure

**DIMENSIONS**



	1/4"	3/8"	1/2"	3/4"	1"	1-1/4"	1-1/2"	2"
A	1/4"	3/8"	1/2"	3/4"	1"	1-1/4"	1-1/2"	2"
B	6.70*	6.70*	6.70*	7.48	7.79	8.03	8.18	14.27
C	4.49	4.49	4.49	4.49	4.49	4.49	4.49	7.10
D	2.56	2.56	2.95	3.54	3.94	4.33	4.92	5.91
E	2.56	2.56	2.56	2.56	2.56	2.56	2.56	3.55
ACT.	P1	P1	P1	P1	P1	P1	P1	P2
WT.	7.42	7.42	7.42	8.55	9.85	12.36	15.13	41.10

\*REQUIRES MOUNTING KIT (INCLUDED IN DIMENSIONS)

DIMENSIONS ARE FOR ON-OFF, NEMA 4 VERSION ONLY. ADD 1.30" HEIGHT FOR 4-20MA OPTION. ALLOW 4.5" CLEARANCE FOR COVER REMOVAL.