

MS-2P SERIES 2-PC STAINLESS STEEL BALL VALVES

BILL OF MATERIALS

PART #	NAME	MATERIAL	QTY
1	BODY	ASTM A351 GR CF8M	1
2	ENDS	ASTM A351 GR CF8M	2
3	BALL	316SS	1
4	SEAT	RTFE	2
5	BODY SEAL	PTFE	1
6	STEM	316SS	1
7	THRUST WASHER	PTFE	1
8	STEM PACKING	PTFE	1
9	GLAND NUT	304SS	1
10	BELLEVILLE WASHER	304SS	2
11	PACKING NUT	304SS	1
12	LOCK WASHER	304SS	1

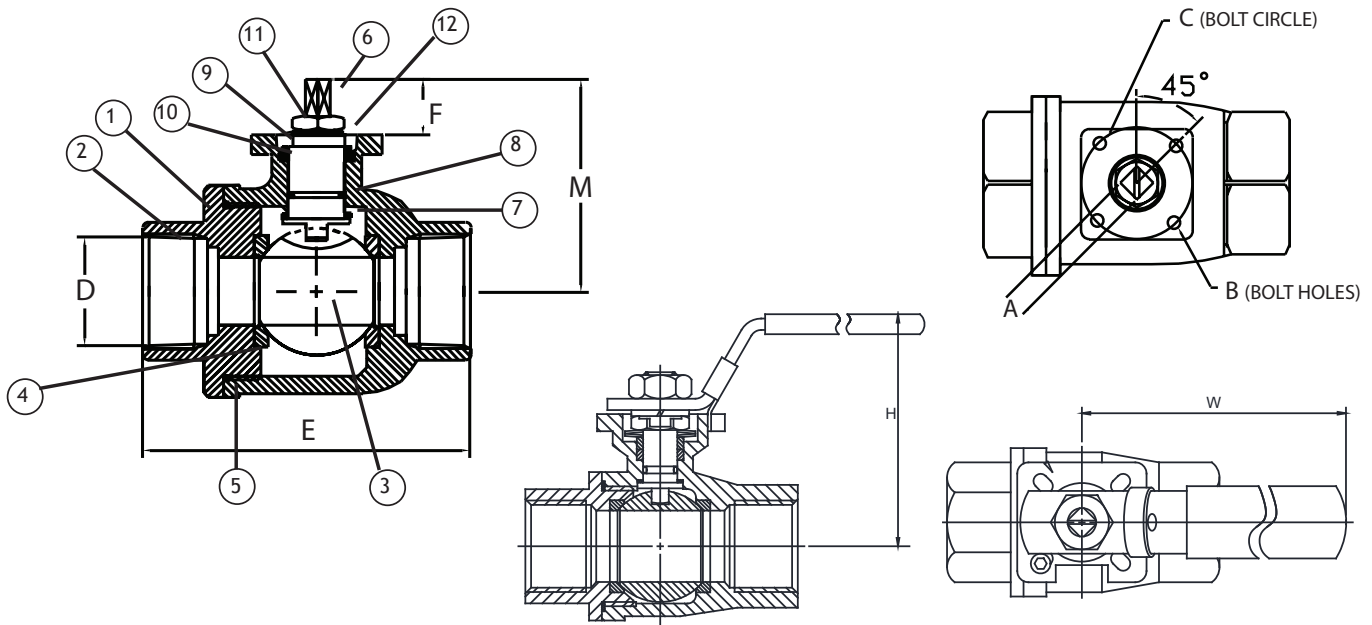
VALVE FEATURES

- Full port stainless steel valve
- 1/4" through 3" size range
- RTFE® seats and TFE seals
- ISO mounting pad
- Blowout proof stem
- Low-torque design
- Spring loaded belleville washers

PRESSURE RATING
1000 PSI CWP

TEMPERATURE RATING
+400° F Maximum
-4° F Minimum

NOTE: MAXIMUM TEMPERATURE RATING FOR STANDARD ACTUATORS IS 150° F (ELECTRIC) AND 180° (PNEUMATIC). SPECIAL SEALS OR HEAT EXTENSIONS ARE AVAILABLE FOR HIGH TEMPERATURE SERVICE.



DIMENSIONAL DATA

SIZE	ISO 5211	A	B	C	D	E	F	H	M	W	CV	WT.
1/4"	F03-F04	0.35	0.28	1.42/1.65	0.43	2.36	0.39	2.83	1.77	5.31	8	0.88
3/8"	F03-F04	0.35	0.28	1.42/1.65	0.59	2.36	0.39	2.83	1.77	5.31	10	0.88
1/2"	F03-F04	0.35	0.28	1.42/1.65	0.59	2.72	0.39	2.83	1.77	5.31	13	1.05
3/4"	F03-F04	0.35	0.28	1.42/1.65	0.79	3.15	0.39	2.99	1.93	5.31	50	1.23
1"	F04-F05	0.43	0.28	1.65/1.97	1.00	3.54	0.55	3.23	2.32	6.50	93	1.65
1-1/4"	F04-F05	0.43	0.28	1.65/1.97	1.26	4.17	0.55	3.46	2.54	6.50	170	3.25
1-1/2"	F05-F07	0.55	0.28/0.35	1.97/2.76	1.50	4.72	0.77	4.09	3.39	7.68	250	5.10
2"	F05-F07	0.55	0.28/0.35	1.97/2.76	1.97	5.51	0.77	5.67	3.76	7.68	450	8.36
2-1/2"	F07-F10	0.67	0.35	2.76/4.02	2.56	6.61	0.83	6.38	4.96	11.81	750	17.60
3"	F07-F10	0.67	0.35	2.76/4.02	3.15	7.48	0.83	6.81	5.39	11.81	1300	25.30

THE MANUAL VERSION OF THIS MODEL STARTS WITH AN "M"

ALL VALVES ARE 100% ELECTRONICALLY TESTED AT 80 PSI IN BOTH THE OPEN AND CLOSED POSITIONS