

M-120 SINGLE VALVE HOSE STATION

for Hot or Cold Water use

Single valve hose station for hot or cold water provides compact and easy to use system for wash down.

The Strahman M-120 Wall-Mounted Hose Station is made of stainless steel. This strong and compact hose station includes a hose rack, mounting hardware and On/Off valve. The hose station comes with (2) ½" stainless steel wall mounting bolts and zinc plated steel anchors for strength and durability.

Specifications

- Maximum operating temperature: 200°F/93°C
- Ball valve and bracket are rated at a maximum working pressure: 1,000 psi
- With Strahman hose assembly and nozzle, maximum working pressure: 150 psi
- ¾" full port 316 stainless steel ball valve, PTFE packing
- Stainless steel hose rack for 50 feet of hose
- ½" stainless steel wall mounting bolts
- Stainless steel ¼ turn On/Off valve for ease of operation
- Zinc-plated steel anchors

NOTE: Intended for cold or hot water use only.

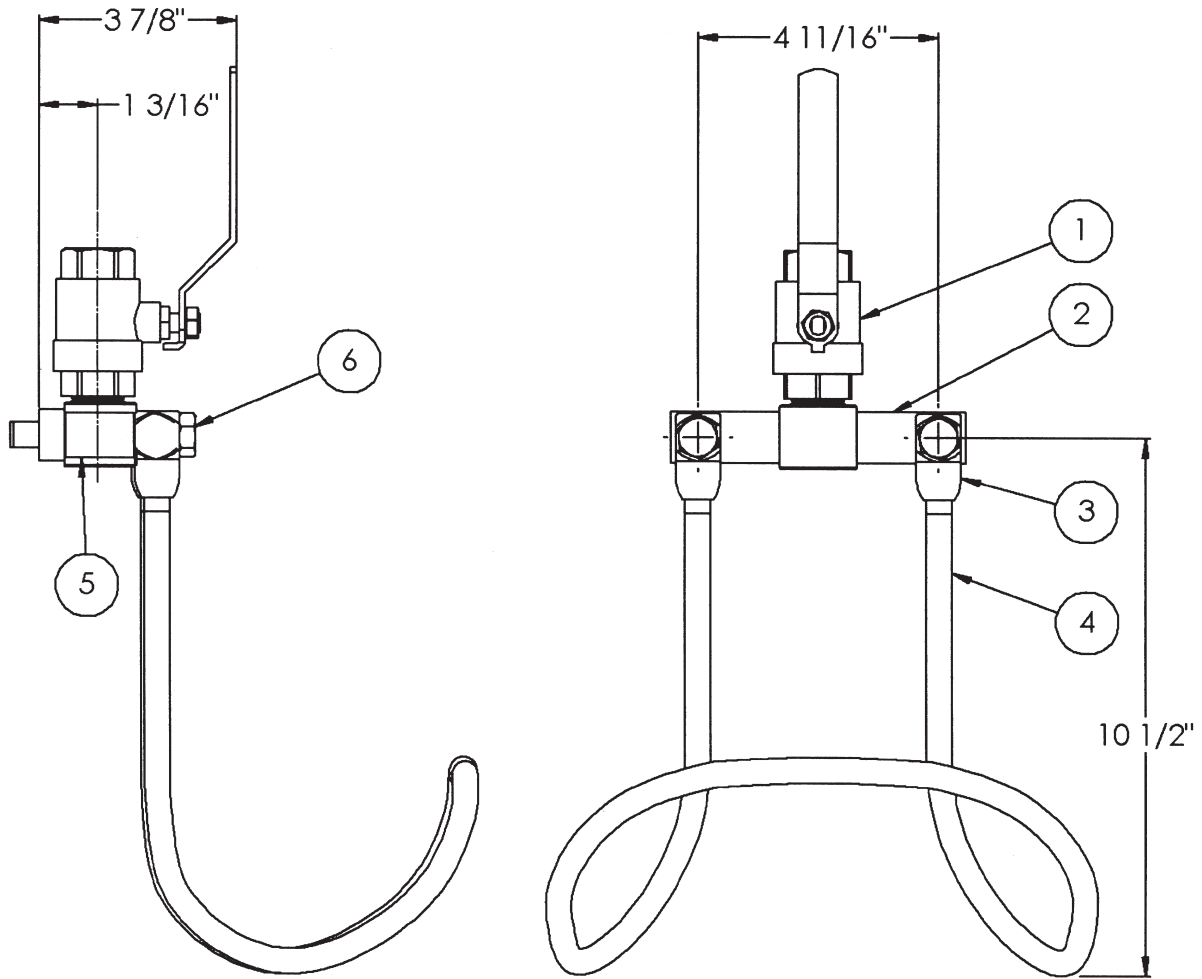
Please see reverse side for parts listing.



M-120 Wall-Mounted Hose Station shown with premium hose assembly and S-70 Series nozzle.

Maximum water temperature: 200°F (93°C)
Optimum working pressure range: (not to exceed 150 psi)

M-120 SINGLE VALVE HOSE STATION



PARTS					
ITEM NO.	PART	(MATERIAL)	ITEM NO.	PART	ORDER NO. (MATERIAL)
1	BALL VALVE	(SST316)	4	HOSE RACK	(SST302)
2	BRACKET	(SST304)	5	HOSE RACK SPACER	(SST303)
3	HOSE RACK CONNECTOR	(SST303)	6	1/2" BOLT	(SST18-8)



WORLD HEADQUARTERS
 2801 BAGLYOS CIRCLE, BETHLEHEM, PA 18020
 P: 484.893.5080 | F: 484.893.5099 | E: STRAHMAN@STRAHMAN.COM

STRAHMANVALVES.COM