

M-200TS Thermostatically Controlled Mixing Unit

The Model **M-200TS** features rugged construction and superb quality for superior thermostatic control. The unit's accurate and solid, liquid-filled thermostat allows you to set the exact output water temperature desired — from 80°F to 160°F. With its durable bronze body construction, the **M-200TS** valve features replaceable components that resist corrosion. Both the piston and liner are made of stainless steel material for long-lasting reliability. The unit also includes an integral shut-off valve. Backed by a one year warranty.



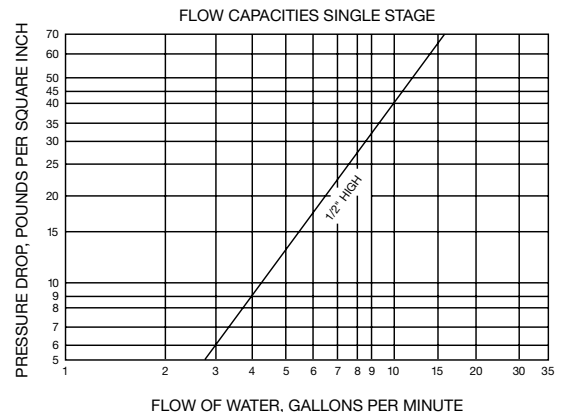
Shown: Bronze **M-200TS** unit; shown with premium hose assembly and **M-70 Series** nozzle. **Unit also available in chrome-plated.**

Specifications

- ◆ **Maximum water temperature** 160°F/71°C
- ◆ **Maximum working pressure** 125 psi
- ◆ **Maintains temperature to** +/-3°F
- ◆ **½" low flow unit** 5-7 gpm
- ◆ **¾" high flow unit** 10-12 gpm
- ◆ Single lever On/Off operation
- ◆ Precise temperature control from 80°F/27°C to 160°F/71°C
- ◆ Adjustable temperature limit stop for maximum safety
- ◆ Replaceable components facilitate servicing
- ◆ Senses and compensates for temperature or pressure fluctuations (up to a 50% drop in inlet supply pressure)

Please see reverse side for parts listing.

Foreign deposits in supply lines can affect ball check durability.



USA Headquarters

2801 Baglyos Circle ♦ Bethlehem, PA 18020

Phone: (484) 893-5080 ♦ Fax: (484) 893-5099 ♦ Toll Free: (877) STRAHMAN

www.strahmanvalves.com

France

Savoie Hexapole, F-73420 Mery, France

Tel: 33 (0) 4 79 35 78 00

Fax: 33 (0) 4 79 35 78 20

Germany

Kirchstrasse 16, D-77855, Achern, Germany

Tel: 49 (0) 7841-6846530

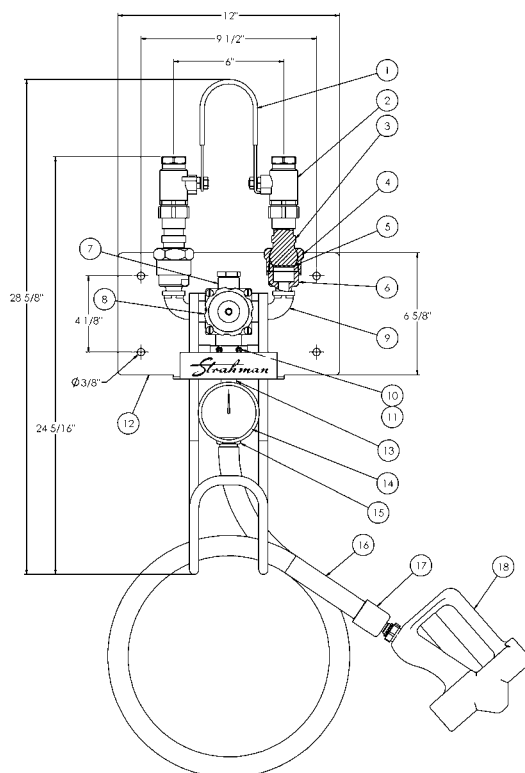
Fax: 49 (0) 7841-6846531



ISO 9001
QMI-SAI Global

Last Updated: July, 2012

M-200TS Thermostatically Controlled Mixing Unit



PARTS

PART NO.	PART	MATERIAL	QUANTITY
1	UNILEVER	SST	1
2	BALL VALVE	SST	2
3	CHECK VALVE	CHROME-PLATED BRASS w/ SST INTERIOR	2
4	UNION NUT	CHROME-PLATED BRASS	2
5	GASKET	COPPER	2
6	CHECK VALVE ADAPTER	CHROME-PLATED BRASS	2
7	MIXING VALVE	CHROME-PLATED BRONZE w/ SST INTERIOR	1
8	CONTROL KNOB	NYLON	1
9	STREET ELBOW	SST	2
10	U-BOLT	SST	1
11	#10 NUT	SST	2
12	MOUNTING PLATE	SST	1
13	NIPPLE	CHROME-PLATED BRASS OR SST	1
14	TEMPERATURE GAUGE	SST	1
15	TEE	CHROME-PLATED BRASS OR SST	1
16*	HOSE ASSEMBLY "Y"	CHROME-PLATED FITTINGS	1
17	SWIVEL-PRO ADAPTER	STAINLESS STEEL	1
18	HYDRO-PRO 150° NOZZLE	SST/BRASS/NYLON	1

Note: Drawing shown with optional "ergonomic package" *Hydro-Pro 150° spray nozzle* and *Swivel-Pro* adapter on lightweight extruded hose.