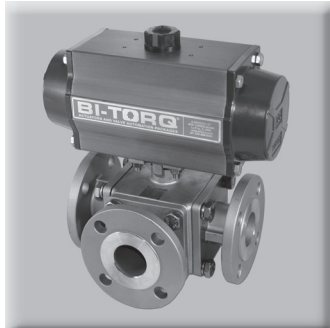




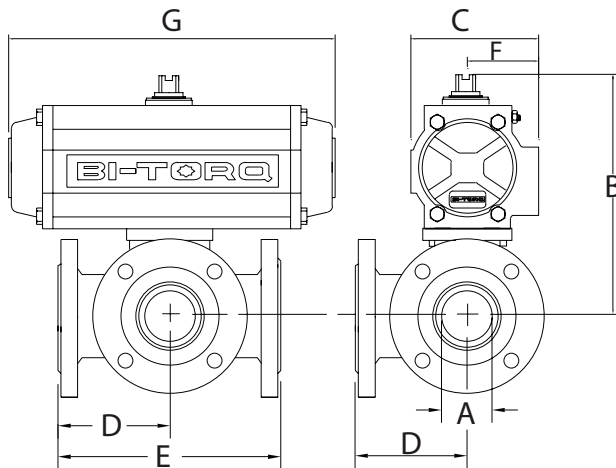
AUTOMATED 3-WAY FLANGED SS BALL VALVE



- Maximum Flow Full Port Ball Valves
1/2" thru 4" Stainless Steel
- L-Port or T-Port Configurations
- ANSI 150# Flanged Ends
- Electric and Pneumatic Actuators
- 4-Seat Design for high cycling
- Secure True ISO Mounting Pad
- Most models are direct mount for lowest possible stack-up height



PNEUMATIC ACTUATORS

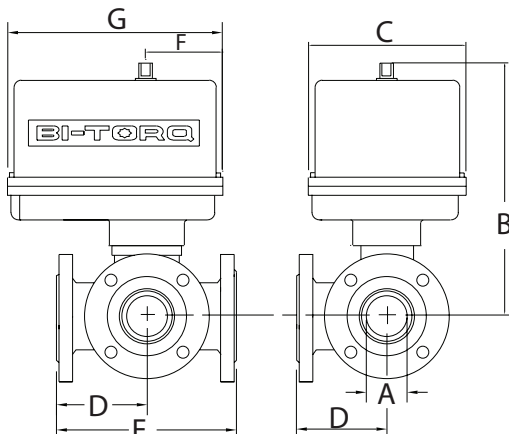


ALL STANDARD PNEUMATIC ACTUATORS SIZED FOR 80 PSI SUPPLY; PLEASE CONSULT FACTORY FOR OTHER COMBINATIONS

	A	1/2"	3/4"	1"	1-1/4"	1-1/2"	2"	2-1/2"	3"	4"
DOUBLE ACTING	B	5.50	5.87	6.03	7.09	8.07	8.74	11.01	11.73	12.52
	C	2.80	2.80	2.80	3.17	3.72	3.72	5.83	7.36	7.36
	D	2.99	3.29	3.64	3.99	4.33	4.98	5.91	6.01	7.26
	E	5.98	6.57	7.28	7.97	8.66	9.96	11.81	12.01	14.54
	F	1.61	1.61	1.61	1.77	2.07	2.07	2.87	2.87	2.87
	G	5.49	5.49	5.49	6.38	8.15	8.15	12.91	12.91	12.91
	ACT.	52DA	52DA	52DA	63DA	75DA	75DA	115DA	115DA	115DA
	WT.	10.3	12.3	17.3	24.3	31.3	53.6	72.6	87.6	135.6

	A	1/2"	3/4"	1"	1-1/4"	1-1/2"	2"	2-1/2"	3"	4"
SPRING RETURN	B	5.50	6.30	7.11	7.74	9.03	10.49	11.48	13.95	14.74
	C	2.80	3.17	3.72	3.72	4.84	5.39	5.83	7.36	7.36
	D	2.99	3.29	3.64	3.99	4.33	4.98	5.91	6.01	7.26
	E	5.98	6.57	7.28	7.97	8.66	9.96	11.81	12.01	14.54
	F	1.61	1.77	2.07	2.07	2.68	2.87	3.15	3.94	3.94
	G	5.49	6.38	8.15	8.15	10.69	12.91	14.41	20.55	20.55
	ACT.	52SR	63SR	75SR	75SR	100SR	115SR	125SR	161SR	161SR
	WT.	10.7	14.0	22.0	29.1	43.5	70.5	74.5	124.8	173.8

ELECTRIC ACTUATORS



	A	1/2"	3/4"	1"	1-1/4"	1-1/2"	2"	2-1/2"	3"	4"
	B	6.85	8.22	8.38	9.01	11.46*	12.13*	15.65**	16.37**	21.79**
	C	4.00	4.25	4.25	4.25	7.00	7.00	7.00	7.00	10.00
	D	2.99	3.29	3.64	3.99	4.33	4.98	5.91	6.01	7.26
	E	5.98	6.57	7.28	7.97	8.66	9.96	11.81	12.01	14.54
	F	2.31	2.43	2.43	2.43	2.38	2.38	2.38	2.38	3.75
	G	5.63	6.88	6.88	6.88	7.00	7.00	7.00	7.00	10.00
	ACT.	100E	200E	200E	300E	400E	675E	1000E	1500E	2000E
	WT.	13.0	17.0	22.0	29.0	42.0	61.0	73.0	89.0	155.0

*includes de clutchable manual override and handwheel

**includes de clutchable manual override, handwheel and mounting kit

ALL ELECTRIC ACTUATOR DIMENSIONS ARE FOR NEMA 4 ENCLOSURES. FOR NEMA 7 ENCLOSURE DIMENSIONS, PLEASE CONSULT OUR SALES STAFF.



IS-3WF SERIES 3-WAY FLANGED SS VALVES

PART #	NAME	MATERIAL	QTY
1	END CAP	CF8M	3
2	BODY	CF8M	1
3	BALL AND STEM	316SS	1
4	BUSHING	TFE	1
5	BALL SEAT	RTFE THRU 2"; TFE 2-1/2" THRU 4"	4
6	BODY SEAL	TFE	4
7	O-RING	VITON	1
8	STEM PACKING	TFE	1
9	PACKING GLAND	304SS	1
10	BELLEVILLE WASHER	301SS	2
11	GLAND NUT	304SS	1
12	HANDLE NUT	304SS	1
13	STOP PIN	304SS	1
14	HANDLE BOLT	304SS	1
15	HANDLE	304SS	1
16	BLIND CAP	CF8M	1
17, 18, 19	BOLTS AND NUTS	304SS	8
20	BONNET	CF8M	1
21	GASKET	TFE	1

VALVE FEATURES

- 3-Way full port stainless steel valves 1/2" through 4"
- Ideal for mixing, food and chem applications
- RTFE® seats through 2"; TFE 2-1/2" - 4"
- ANSI 150# Flanged
- 4-seat design for high cycle automation
- Self-adjusting stem packing with belleville washers

PRESSURE RATING

200 PSI operating

TEMPERATURE RATING

-40° F to +400° F

NOTE: Maximum temperature rating for standard actuators is 150° F (electric) and 180° (pneumatic). Special seals or heat extensions are available for high temperature service.

For more information on BI-TORQ® actuators, please refer to brochures PN-2010-1 and EL-2011-1, or www.bitorq.com.

ACTUATOR FEATURES

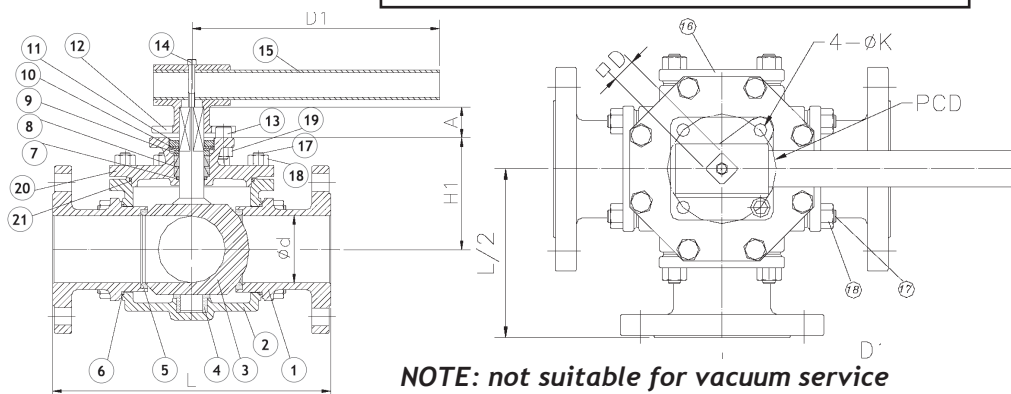
PNEUMATIC ACTUATORS

- Rack and pinion design
- Spring return or double acting
- open and closed adjustment stops
- true NAMUR accessory mounting
- visual indicator

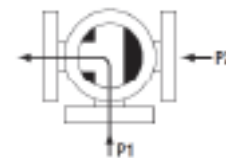
ELECTRIC ACTUATORS

- 120VAC, 220VAC, 24VAC, 12VDC, 24VDC
- NEMA 4 and NEMA 7 enclosures
- Manual override
- visual indicator

SEE PAGE 31 FOR AVAILABLE FLOW PATTERNS



Application Limitation (Floating Valve Design)
Referring to below diagram, there is a limitation on the differential pressure between flow P2 and P1. Where P2>P1, leakage from P2 to P1 could occur. The same



DIMENSIONAL DATA

SIZE	ISO 5211	d	L	L2	H1	A	D1	K	D	WT.
1/2"	F03-F04	0.50	5.98	2.99	1.97	0.30	5.71	0.24	0.354	8
3/4"	F04-F05	0.75	6.57	3.29	2.34	0.37	6.50	0.24	0.433	10
1"	F04-F05	1.00	7.28	3.64	2.50	0.43	7.68	0.31	0.433	15
1-1/4"	F05-F07	1.25	7.97	3.98	3.13	0.61	8.12	0.31	0.551	22
1-1/2"	F05-F07	1.50	8.66	4.33	3.46	0.65	9.84	0.39	0.551	29
2"	F07-F10	2.00	9.96	4.98	4.13	0.67	12.20	0.39	0.669	48
2-1/2"	F10	2.44	11.81	5.91	4.65	0.98	19.69	0.43	0.866	55
3"	F10	2.99	12.01	6.00	5.37	0.98	25.59	0.43	0.866	71
4"	F10	3.78	14.51	7.25	6.16	0.98	25.59	0.43	0.866	118