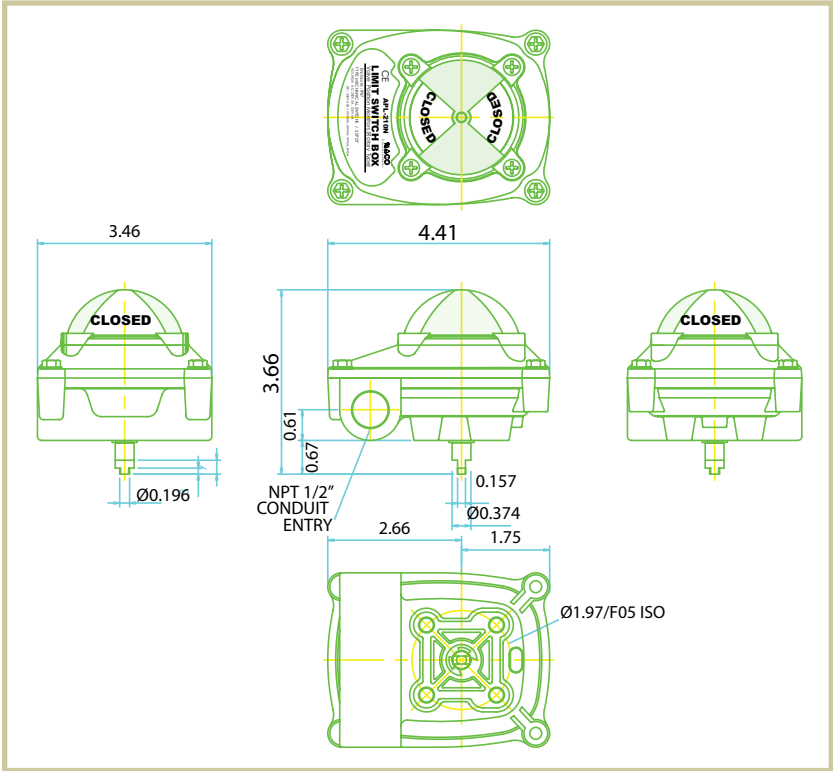


LF-SERIES LIMIT SWITCH BOX



- FEATURES**
- fully adjustable cams
 - compact body design and ultra-low profile high-visibility dome indicator
 - standard 1/2" conduit connections
 - general purpose enclosure designed to meet IP67
 - all switches include SS bracket for mounting to NAMUR actuators

ENCLOSURE	IP67
SWITCH TYPE	2 SPDT MECHANICAL SWITCHES
CONTACT RATING	AC: 5A @ 250AC DC: 0.5A @ 24VDC
MAXIMUM CURRENT	AC: 250V 5A DC: 48V
TEMPERATURE RATING	-40° F TO +176° F
SWITCH RATINGS	CSA APPROVED

OTHER PNEUMATIC ACTUATOR ACCESSORY OPTIONS FROM BI-TORQ

4-20mA and 3-15PSI pneumatic positioners

speed controls and mufflers

NAMUR solenoid valves