



FLP-LT SERIES 1/4" THROUGH 1" NPT



FLP-LT series fusible link shown with FM approved actuator

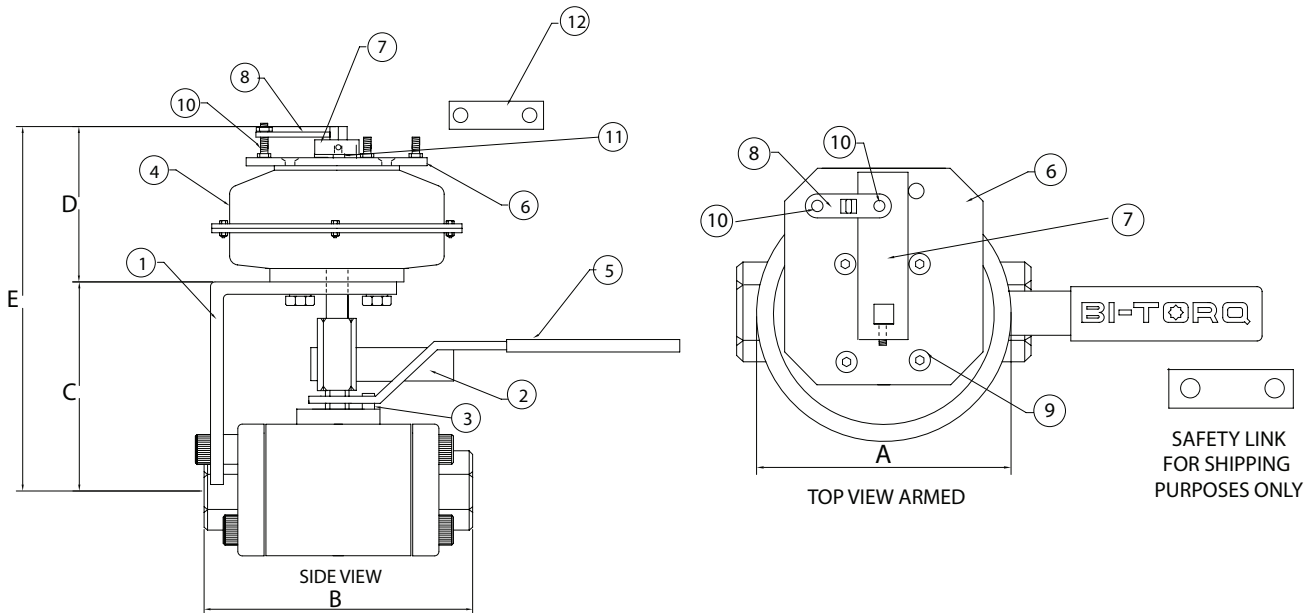
PART NUMBERS

FLP-LT-059-***-XXX-BV-FS	includes 316SS 3-piece API 607 fire safe valve
FLP-LT-059-***-XXX-BV-FW	includes WCB/SS 3-piece API 607 fire safe valve

***: Select a link temperature from the chart below.
XXX: valve size (i.e., 005=1/2", 007=3/4", 010=1")

LINK PART NUMBER	LINK YIELD TEMPERATURE	MAXIMUM AMBIENT TEMPERATURE
FL-1-165	165° F/74° C	135° F/57° C
FL-1-212	212° F/100° C	185° F/82° C
FL-1-286	286° F/138° C	253° F/123° C
FL-1-360	360° F/182° C	330° F/166° C

NOTE: Links should be replaced on an annual basis as part of a regular maintenance program. Links are not rated for use in corrosive atmospheres.



BILL OF MATERIALS

DIMENSIONS										
SIZE	1/4"-3/8"	1/2"	3/4"	1"						
A	4.25	4.25	4.25	4.25	1	SPRING PACK MOUNTING BRACKET	CARBON STEEL	7	TRIGGER ARM	STAINLESS STEEL
B	2.55	2.95	3.14	3.54	2	TRIPPER ARM	CARBON STEEL	8	FUSIBLE LINK	SOLDERED METAL
C	3.75	3.75	4.00	4.63	3	VALVE OPEN/CLOSE STOP	STAINLESS STEEL	9	FUSIBLE LINK STUDS	STAINLESS STEEL
D	2.50	2.50	2.50	2.50	4	057-030 SPRING PACK	EPOXY COATED STEEL	10	LEVER RETAINING ARM	STAINLESS STEEL
E	6.25	6.25	6.50	7.13	5	VALVE HANDLE	PLATED STEEL	11	SPACER	STAINLESS STEEL
WEIGHT (LBS.)	9.62	9.62	10.75	12.05	6	FL MOUNTING PLATE	STAINLESS STEEL	12	SAFETY LINK	CARBON STEEL

The policy of BI-TORQ Valve Automation is one of continuous improvement. We reserve the right to alter the product as described and illustrated without notice.