

MP-2P MANUAL BRASS BALL VALVES



PRESSURE RATING
600WOG
TEMPERATURE RATING
+320° F Maximum CWP
100PSI Steam Maximum

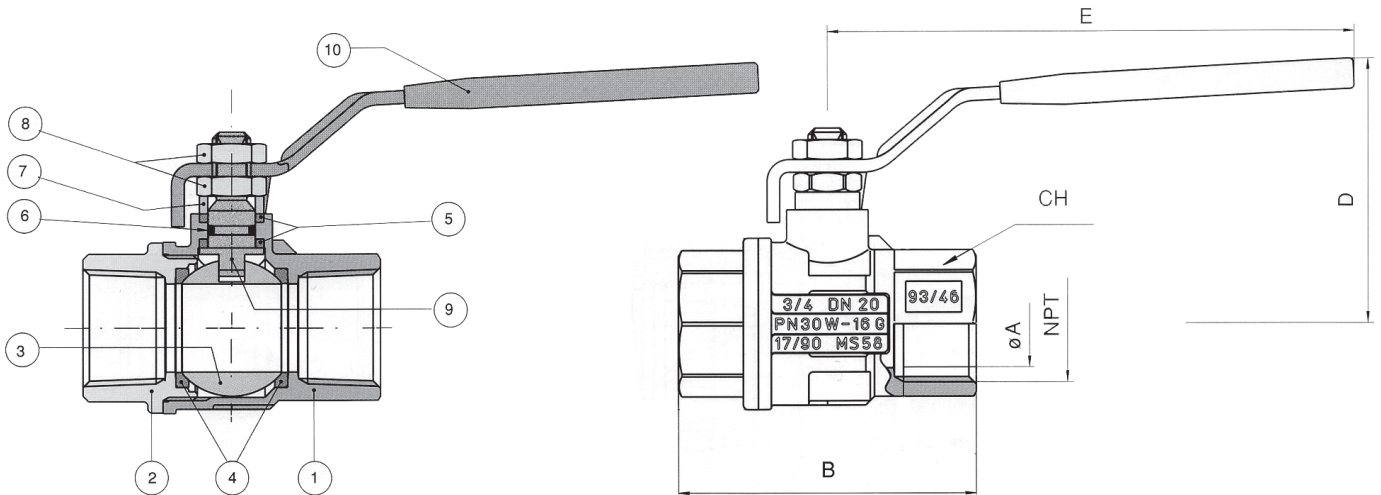
VALVE FEATURES

- Full port brass ball valve
- 1/4" through 4"
- Blow-out proof stem
- Chrome plated brass ball
- Adjustable stem packing
- ANSI B 1.20.1 connections
- CSA, UL, NSF and FM approved through 2"

BILL OF MATERIALS

| PART # | NAME | MATERIAL | QTY |
|--------|---------------|-------------------------------|-----|
| 1 | BODY | BRASS CW 617N UNI EN 12165 | 1 |
| 2 | ENDS | BRASS CW 617N UNI EN 12165 | 2 |
| 3 | BALL | BRASS CW 617N UNI EN 12165 | 1 |
| 4 | SEAT | PTFE | 2 |
| 5 | STEM SEAL | PTFE | 2 |
| 6 | O-RING | NBR 75Sh A | 1 |
| 7 | PACKING GLAND | BRASS CW 614N UNI EN 12164 | 1 |
| 8 | NUT | STEEL NS6 | 1 |
| 9 | STEM | BRASS CW 614N UNI EN 12164 | 1 |
| 10 | LEVER HANDLE | PLATED STEEL* | 1 |

*2-1/2" THROUGH 4" SIZE USES ALUMINUM HANDLE



DIMENSIONAL DATA

| SIZE | A | B | C | D | E | H | CH | CV | PSI | WT. |
|--------|------|------|------|------|-------|------|------|---------|-----|-------|
| 1/4" | 0.39 | 2.02 | 0.39 | 1.75 | 3.85 | 0.90 | 0.78 | 6.29 | 600 | 0.30 |
| 3/8" | 0.39 | 2.02 | 0.40 | 1.75 | 3.85 | 0.90 | 0.78 | 6.99 | 600 | 0.38 |
| 1/2" | 0.59 | 2.44 | 0.53 | 1.88 | 3.85 | 1.25 | 0.98 | 19.00 | 600 | 0.48 |
| 3/4" | 0.78 | 2.71 | 0.55 | 2.28 | 4.80 | 1.53 | 1.22 | 34.42 | 600 | 0.79 |
| 1" | 0.98 | 3.07 | 0.66 | 2.44 | 4.80 | 1.92 | 1.49 | 50.10 | 600 | 1.22 |
| 1-1/4" | 1.25 | 3.42 | 0.68 | 3.07 | 6.02 | 2.32 | 1.88 | 103.70 | 600 | 2.14 |
| 1-1/2" | 1.57 | 3.89 | 0.68 | 3.34 | 6.02 | 2.87 | 2.12 | 268.41 | 600 | 3.20 |
| 2" | 1.96 | 4.33 | 0.69 | 3.79 | 6.37 | 3.38 | 2.63 | 309.20 | 600 | 4.08 |
| 2-1/2" | 2.56 | 5.59 | 1.19 | 5.02 | 8.07 | 4.37 | 3.54 | 629.00 | 600 | 8.28 |
| 3" | 3.15 | 6.45 | 1.31 | 5.45 | 8.07 | 5.35 | 4.13 | 1018.00 | 600 | 13.00 |
| 4" | 3.94 | 7.60 | 1.55 | 6.34 | 10.23 | 6.35 | 5.12 | 1622.00 | 600 | 22.07 |