

# MS-3P SERIES 3-PC STAINLESS STEEL BALL VALVES

## BILL OF MATERIALS

PART #	NAME	MATERIAL	QTY
1	ENDS	ASTM A351 GR CF8M	2
2	BODY SEAL	PTFE	1
3	BALL	316SS	1
4	BODY	ASTM A351 GR CF8M	1
5	SEAT	RTFE	2
6	WASHER	304SS	4
7	NUT	304SS	4
8	STEM SEAL	PTFE	1
9	O-RING	VITON	1
10	STEM PACKING	PTFE	1
11	BELLEVILLE WASHER	304SS	2
12	STEM NUT	304SS	1
13	STEM	316SS	1
14	BODY BOLT	304SS	4

## VALVE FEATURES

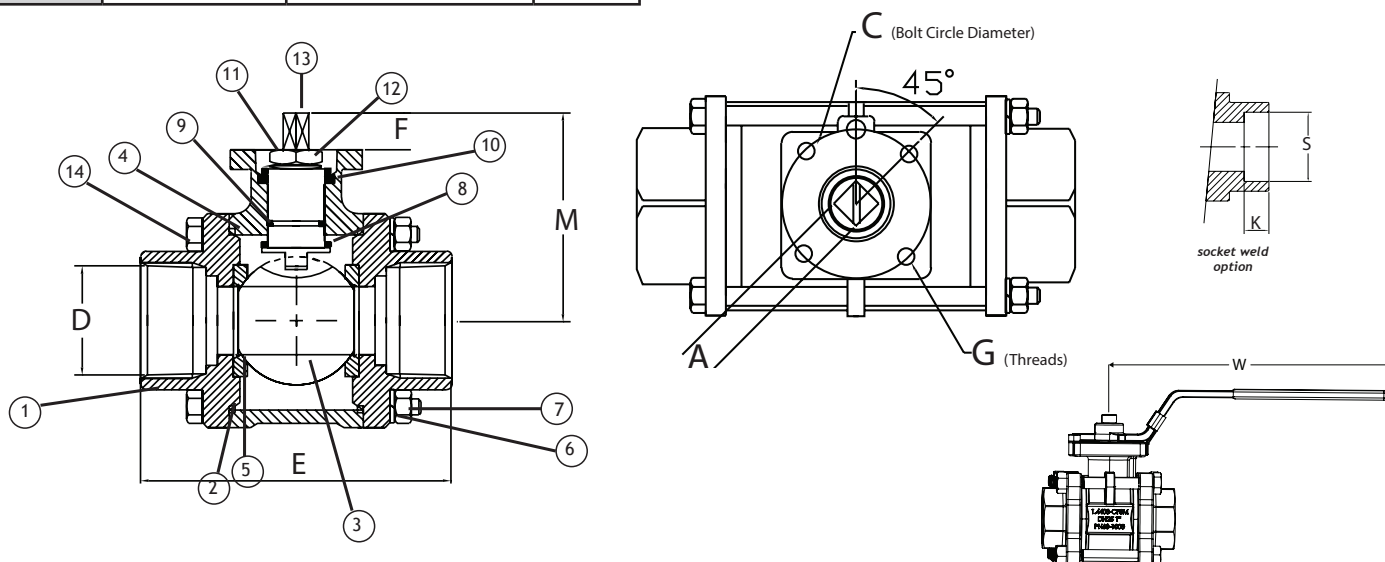
- Full port stainless steel valve
- 1/4" through 4" size range
- NPT, socket weld ends
- RTFE® seats/TFE seals
- Swing out design for easy maintenance
- ISO mounting pad

**NOTE: NOT RECOMMENDED FOR USE IN OZONE SERVICE; PLEASE CONSULT FACTORY FOR RECOMMENDED VALVES**

**PRESSURE RATING**  
1000 WOG

**TEMPERATURE RATING**  
+450 °F Maximum  
-40 °F Minimum  
+366 °F Maximum

**NOTE: MAXIMUM TEMPERATURE RATING FOR STANDARD ACTUATORS IS 150 °F (ELECTRIC) AND 180 ° (PNEUMATIC). SPECIAL SEALS OR HEAT EXTENSIONS ARE AVAILABLE FOR HIGH TEMPERATURE SERVICE.**



## DIMENSIONAL DATA

SIZE	ISO 5211	A	C	D	E	F	G	K	M	S	W	CV	WT.
1/4"	F03-F04	0.35	1.42/1.65	0.45	2.56	0.27	0.22/0.28	0.40	1.96	0.56	5.25	4	1.27
3/8"	F03-F04	0.35	1.42/1.65	0.50	2.56	0.27	0.22/0.28	0.40	1.96	0.70	5.25	10	1.27
1/2"	F03-F04	0.35	1.42/1.65	0.59	2.95	0.27	0.22/0.28	0.50	1.96	0.87	5.25	24	1.45
3/4"	F03-F04	0.35	1.42/1.65	0.79	3.15	0.31	0.22/0.28	0.62	2.08	1.08	5.25	47	1.75
1"	F04-F05	0.43	1.65/1.97	0.98	3.54	0.43	0.28/0.35	0.69	2.52	1.35	7.50	81	3.10
1-1/4"	F04-F05	0.43	1.65/1.97	1.26	4.33	0.43	0.28/0.35	0.75	2.67	1.69	7.50	132	4.35
1-1/2"	F05-F07	0.55	1.97/2.76	1.50	4.72	0.55	0.28/0.35	0.88	3.23	1.93	8.25	202	6.65
2"	F05-F07	0.55	1.97/2.76	1.97	5.51	0.55	0.28/0.35	0.88	3.58	2.42	8.25	376	10.00
2-1/2"	F07-F10	0.67	2.76/4.02	2.50	7.28	0.67	0.28/0.35	0.88	4.57	3.04	12.00	642	21.30
3"	F07-F10	0.67	2.76/4.02	3.15	8.07	0.67	0.28/0.35	1.00	5.04	3.54	12.00	901	30.00
4"	F10-F12	0.87	4.02/4.92	3.82	9.45	0.87	0.35/0.50	1.26	6.30	4.54	N/A	1588	51.50

THE MANUAL VERSION OF THIS MODEL STARTS WITH AN "M"

ALL VALVES ARE 100% ELECTRONICALLY TESTED AT 80 PSI IN BOTH THE OPEN AND CLOSED POSITIONS