

MS-3TC SERIES SANITARY CLAMP END BALL VALVES

BILL OF MATERIALS

PART #	NAME	MATERIAL	QTY
1	END CAP	ASTM A351/GR CF8M	2
2	BODY SEAL	TFE	2
3	BALL	ASTM A351/316SS	1
4	BODY	ASTM A351/316SS	1
5	BALL SEAT	TFE	2
6	SPRING WASHER	304SS	1
7	GLAND NUT	304SS	1
8	STEM SEAL	TFE	1
9	O-RING	VITON	1
10	STEM PACKING	TFE	1
11	FOLLOWER	304SS	1
12	BELLEVILLE SPRING WASHERS	301SS	4
13	STEM NUT	304SS	1
14	STEM	316SS	1
15	BODY BOLT	304SS	4
16	HANDLE	304SS	1

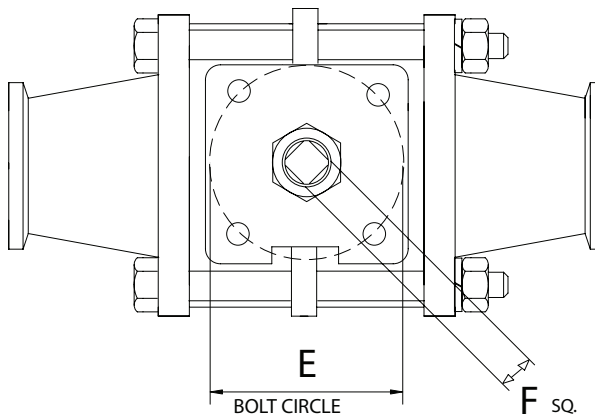
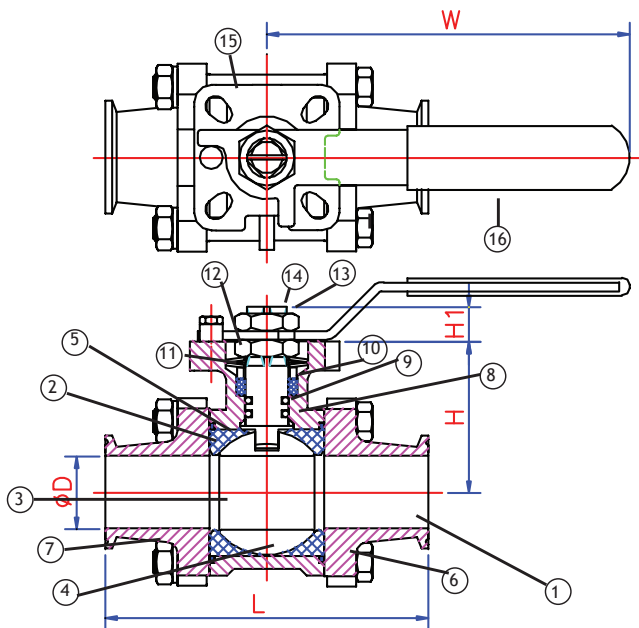
VALVE FEATURES

- Full port sanitary valves
- 1/2" through 4"
- 240 grit bore polish
- Cavity filled TFE® seats to reduce the threat of media entrapment
- Swing out design for easy maintenance
- Polished clamp end to meet BS 4825.3

PRESSURE RATING
1000 WOG

TEMPERATURE RATING
+450° F Maximum
-40° F Minimum
+297° F Steam Maximum

NOTE: MAXIMUM TEMPERATURE RATING FOR STANDARD ACTUATORS IS 150° F (ELECTRIC) AND 180° (PNEUMATIC). SPECIAL SEALS OR HEAT EXTENSIONS ARE AVAILABLE FOR HIGH TEMPERATURE SERVICE.



DIMENSIONAL DATA

SIZE	ISO 5211	D	E	F	H	H1	L	W	CV	WT.
1/2"	F03-F04	0.37	1.42/1.65	0.35	1.69	0.354	3.50	4.57	14	1.40
3/4"	F03-F04	0.63	1.42/1.65	0.35	1.83	0.354	3.98	4.57	45	2.0
1"	F04-F05	0.87	1.65/1.97	0.43	1.98	0.443	4.49	6.14	81	2.90
1-1/2"	F05-F07	1.36	1.97/2.76	0.55	2.66	0.551	5.51	7.13	215	5.70
2"	F05-F07	1.87	1.97/2.76	0.55	2.97	0.551	6.14	7.13	410	9.00
2-1/2"	F07-F10	2.37	2.76/4.02	0.67	3.74	0.669	7.76	10.24	618	19.3
3"	F07-F10	2.87	2.76/4.02	0.67	4.13	0.669	9.02	10.24	940	31.2
4"	F10-F12	3.83	4.02/4.92	0.87	4.96	0.869	9.57	13.19	1840	43.7

THE MANUAL VERSION OF THIS MODEL STARTS WITH AN "M"

ALL VALVES ARE 100% ELECTRONICALLY TESTED AT 80 PSI IN BOTH THE OPEN AND CLOSED POSITIONS