

MS-3WTC SERIES SANITARY CLAMP END 3-WAY BALL VALVES

BILL OF MATERIALS

PART #	NAME	MATERIAL	QTY
1	BODY	CF8M	1
2	END CAP	CF8M	2
3	BALL	CF8M	1
4	SEAT	PTFE	2
5	GASKET	PTFE	2
6	THRUST WASHER	PTFE	1
7	O-RING	VITON	1
8	STEM PACKING	PTFE	1
9	PACKING RING	316 SS	1
10	BEVEL WASHER	301 SS	2
11	STEM	316 SS	1

VALVE FEATURES

- 3-Way sanitary valves
- 1/2" through 2" size range
- 240 grit bore polish
- Cavity filled TFE® seats to reduce the threat of media entrapment
- Block body and bolted end piece design for easy maintenance
- Polished clamp end to meet BS 4825.3

NOTE: not suitable for vacuum service

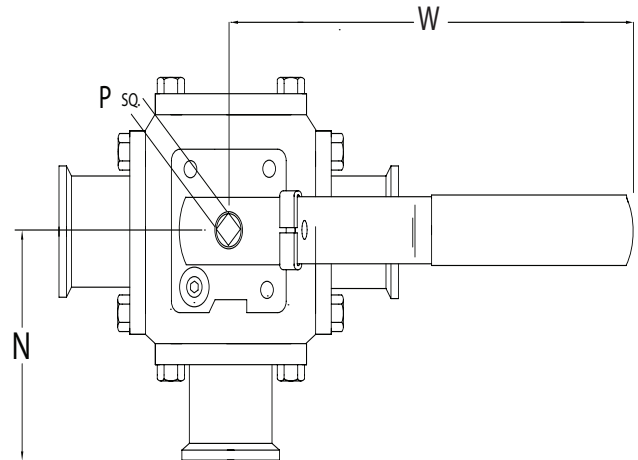
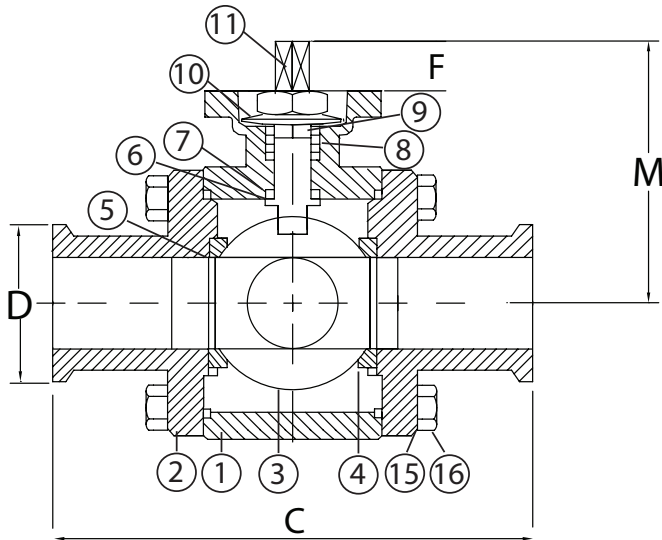
PRESSURE RATING
1000 WOG (valve body)
200 PSI operating

TEMPERATURE RATING
+450° F Maximum
-40° F Minimum

See page 31 for possible pressure limitations due to flow patterns in certain applications with our floating ball valve design.

NOTE: MAXIMUM TEMPERATURE RATING FOR STANDARD ACTUATORS IS 150° F (ELECTRIC) AND 180° (PNEUMATIC). SPECIAL SEALS OR HEAT EXTENSIONS ARE AVAILABLE FOR HIGH TEMPERATURE SERVICE.

SEE PAGE 31 FOR AVAILABLE FLOW PATTERNS



DIMENSIONAL DATA

SIZE	ISO 5211	C	D	F	M	N	P	W	WT.
1/2"	F03-F04	4.65	0.99	0.35	1.75	2.32	0.35	4.76	3.61
3/4"	F03-F04	5.00	0.99	0.35	1.89	2.50	0.35	4.76	4.36
1"	F04-F05	6.00	1.99	0.43	2.32	3.00	0.43	5.39	6.82
1-1/2"	F05-F07	6.89	1.99	0.55	2.83	3.44	0.55	7.17	12.89
2"	F05-F07	7.48	2.52	0.55	3.23	3.74	0.55	7.17	23.06

THE MANUAL VERSION OF THIS MODEL STARTS WITH AN "M"

ALL VALVES ARE 100% ELECTRONICALLY TESTED AT 80 PSI IN BOTH THE OPEN AND CLOSED POSITIONS