



FLP-MT SERIES 1-1/4" THROUGH 2" 150# FLANGED



FLP-MT series shown with FM approved actuator

PART NUMBERS	
FLP-MT-079/089-***-XXX-BV-ED50	includes 316SS flanged API 607 fire safe valve
FLP-MT-079/089-***-XXX-BV-W50	includes WCB/SS flanged API 607 fire safe valve

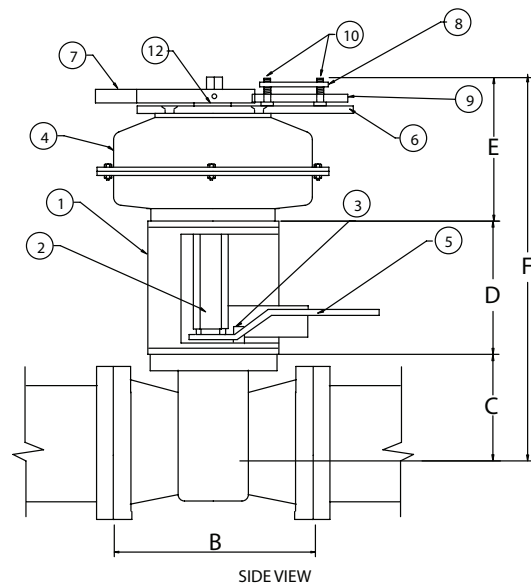
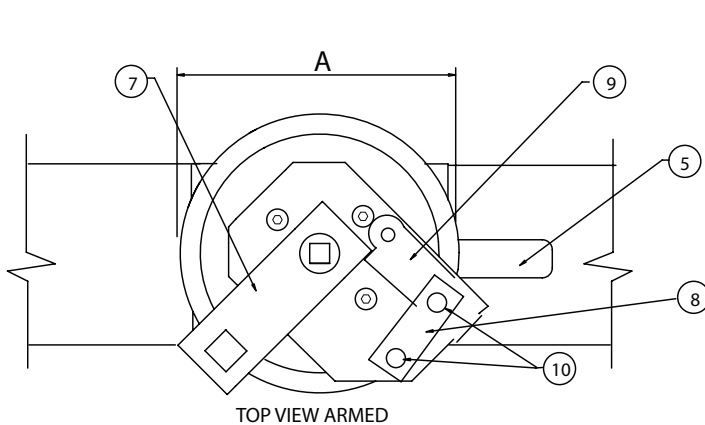
***: Select a link temperature from the chart below.

XXX: valve size (i.e., 012=1-1/4", 015=1-1/2", 020=2")

NOTE: 1-1/4" valve uses 07 spring pack; 1-1/2" - 2" use 08 spring pack

LINK PART NUMBER	LINK YIELD TEMPERATURE	MAXIMUM AMBIENT TEMPERATURE
FL-1-165	165° F/74° C	135° F/57° C
FL-1-212	212° F/100° C	185° F/82° C
FL-1-286	286° F/138° C	253° F/123° C
FL-1-360	360° F/182° C	330° F/166° C

NOTE: Links should be replaced on an annual basis as part of a regular maintenance program. Links are not rated for use in corrosive atmospheres.



DIMENSIONS

SIZE	1-1/4"	1-1/2"	2"
A	6.00	7.87	7.87
B	5.50	6.50	7.00
C	1.97	2.61	2.95
D	4.00	4.00	4.00
E	4.75	4.750	4.75
F	10.72	11.36	11.70
WEIGHT (LBS.)	26.88	41.60	46.60

BILL OF MATERIALS

1	SPRING PACK MOUNTING BRACKET	CARBON STEEL	7	ARMING LEVER	STAINLESS STEEL
2	COUPLER/TRIPPER ARM	CARBON STEEL	8	FUSIBLE LINK	SOLDERED METAL
3	VALVE OPEN/CLOSE STOP	STAINLESS STEEL	9	FUSIBLE LINK RETAINING ARM	STAINLESS STEEL
4	SPRING PACK	EPOXY COATED STEEL	10	LINK RETAINING STUDS	STAINLESS STEEL
5	VALVE HANDLE	PLATED STEEL	11	SAFETY LINK	CARBON STEEL
6	FL MOUNTING PLATE	STAINLESS STEEL	12	SPACER	NYLON

The policy of BI-TORQ Valve Automation is one of continuous improvement. We reserve the right to alter the product as described and illustrated without notice.