

LIMIT SWITCHES FOR PNEUMATIC ACTUATORS



NEMA 4/4X



NEMA 7/9

COMPACT, COST-EFFICIENT, LOW PROFILE LIMIT SWITCHES FOR BOTH LOCAL AND REMOTE INDICATION OF VALVE AND/OR ACTUATOR POSITION

WIDE VARIETY OF SWITCH OPTIONS

UL AND CENELEC APPROVED

STANDARD FEATURES

- **HEAVY DUTY ENCLOSURE:**
epoxy coated aluminum housing
- **INDICATION:**
high visibility 3D dome
- **SWITCH OPTIONS:**
SPDT or DPDT mechanical
SPST or SPDT proximity
(bifurcated versions available)
Inductive
- **NAMUR MOUNTING:**
complete with SS bracket to mount to all NAMUR style actuators
- **PRE-WIRED PCB MODULES:**
Switches are factory wired to printed circuit boards to simplify installation and maintenance while eliminating the need for a separate junction box
- **EASY SET CAMS:**
The tool-free design uses splined, spring loaded and independently adjustable cams
- **MULTIPLE CONDUIT ENTRIES:**
Two 1/2" conduit entries are standard, with optional 3rd entry available

Also ask about our customized valve to limit switch kits

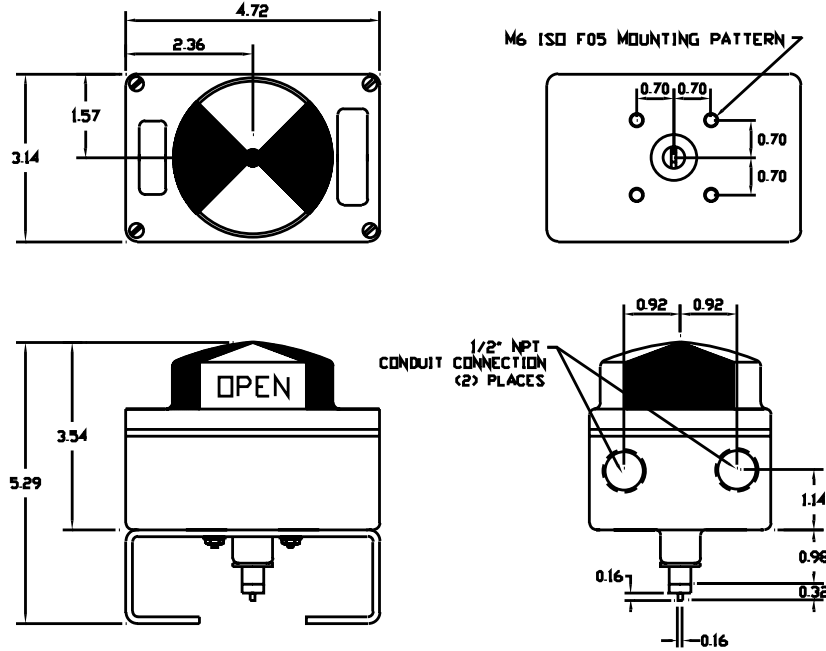


OPTIONAL EQUIPMENT

- **DRIBBLE CONTROL:**
ideal for filling applications and 3-position control
- **4-20mA FEED BACK TRANSMITTER**
for 4-20mA confirmation of valve position
- **AS-I DIGITAL COMMUNICATION INTERFACE CARD**
2-wire digital communication wiring

Housing	Aluminum (polyester powder coated)
Cover	Aluminum (polyester powder coated)
Shaft	Stainless Steel
Cam/Splines	Thermo-Resistant ABS
3D Rotor	UV Resistant Polycarbonate
Terminal Block	SS screws and PVC housing
Internal Brackets	Stainless Steel
Fasteners	Stainless Steel
Temperature Range	-4°F to +220°F (-20°C to +80°C)
Weight	NEMA 4: 1.25 lbs NEMA 7/9: 3 lbs.
Enclosure Approvals	UL and CENELEC
Switch Approvals	Mechanical Switches: suitable for general purpose applications (gold plated versions available for intrinsically safe operations) Proximity Switches: suitable for intrinsically safe applications and hazardous locations (Class I, Div 2, Groups A, B, C, D)

NEMA 4 VERSION



NEMA 7 VERSION

