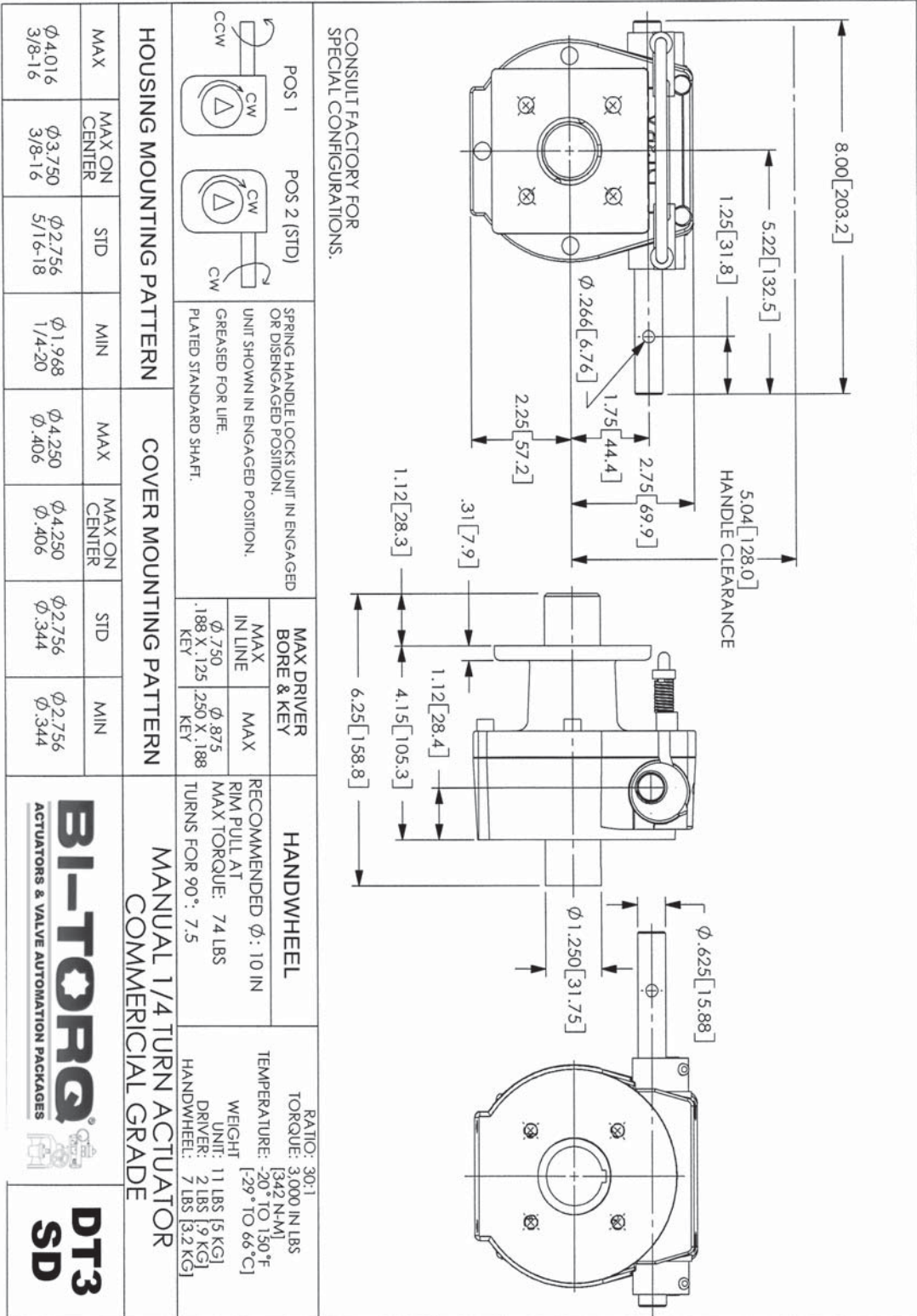


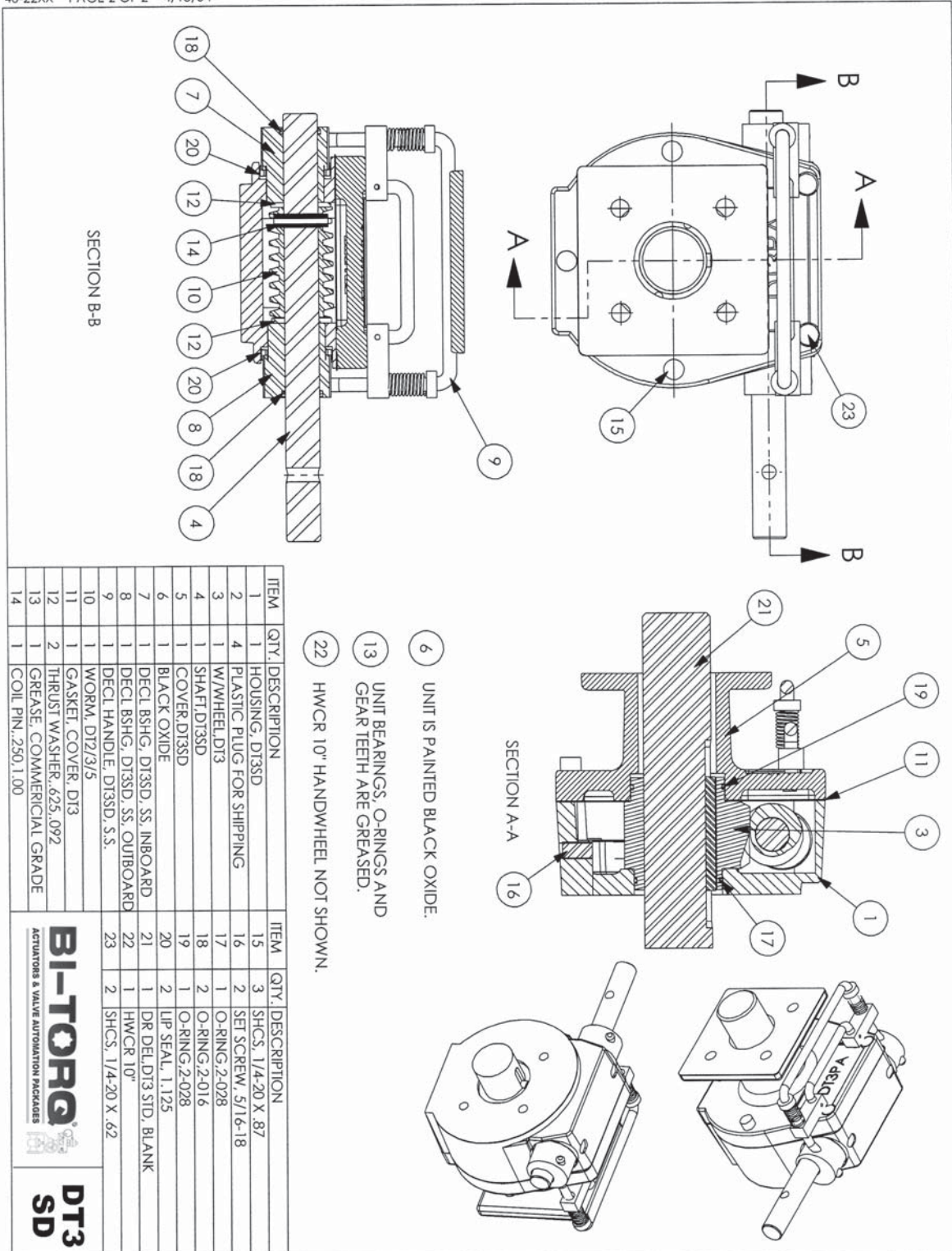
DECLUTCHABLE GEAR OPERATOR DT3SD

40-22XX PAGE 1 OF 2 4/15/04



DECLUTCHABLE GEAR OPERATOR DT3SD

40-22XX PAGE 2 OF 2 4/15/04



ITEM	QTY.	DESCRIPTION	ITEM	QTY.	DESCRIPTION
1	1	HOUSING, DT3SD	15	3	SHCS, 1/4-20 X .87
2	4	PLASTIC PLUG FOR SHIPPING	16	2	SET SCREW, 5/16-18
3	1	W/WHEEL, DT3	17	1	O-RING, 2-028
4	1	SHAFT, DT3SD	18	2	O-RING, 2-016
5	1	COVER, DT3SD	19	1	O-RING, 2-028
6	1	BLACK OXIDE	20	2	LIP SEAL, 1.125
7	1	DECL BSHG, DT3SD, SS, INBOARD	21	1	DR DEL, DT3 STD, BLANK
8	1	DECL BSHG, DT3SD, SS, OUTBOARD	22	1	HWCR 10"
9	1	DECL HANDLE, DT3SD, S.S.	23	2	SHCS, 1/4-20 X .62
10	1	WORM, DT2/3/5			
11	1	GASKET, COVER, DT3			
12	2	THRUST WASHER, .625, .092			
13	1	GREASE, COMMERCIAL GRADE			
14	1	COIL PIN, .250, 1.00			

BI-TORQ
ACTUATORS & VALVE AUTOMATION PACKAGES

**DT3
SD**