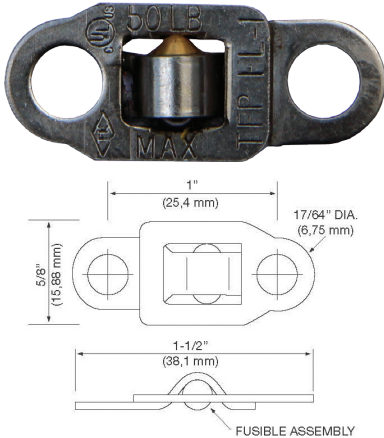


FUSIBLE LINKS

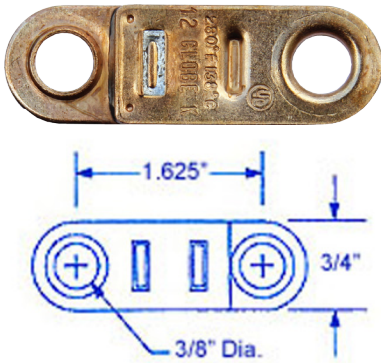
FL-1: For 05 through 10 spring packs



- Factory Mutual approved; UL and C-UL Listed
- Minimum Continuous Load: 5 lbs. (2,3 kg)
- Maximum Continuous Load: 50 lbs. (22,7 kg)
- Fusible Link Halves: Stainless Steel
- Fusible Assembly: Solder, Copper, Stainless Steel
-

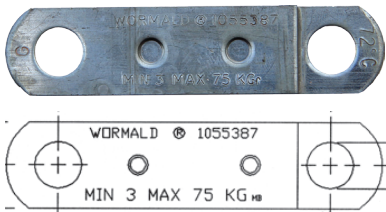
NOTE: Model FL-1 Fusible Links are not rated for use in corrosive atmospheres.

K: for 12 through 14X spring packs



- UL listed
- Minimum Load: 3 lbs. (1.36 kg.)
- Maximum Load : 50 lbs. (22.68 kg.)
- Corrosion resistant bronze construction

WS: for 14 through 20 spring packs



WS-style links are used primarily on the BT series design. Links are stacked to provide sure holding until yield temperature is reached.

NOTE: CANNOT BE USED ON FM-APPROVED ASSEMBLIES

BI-TORQ[®] Valve Automation and our soldered fusible link manufacturers suggest the annual replacement of fusible links as part of scheduled plant maintenance.