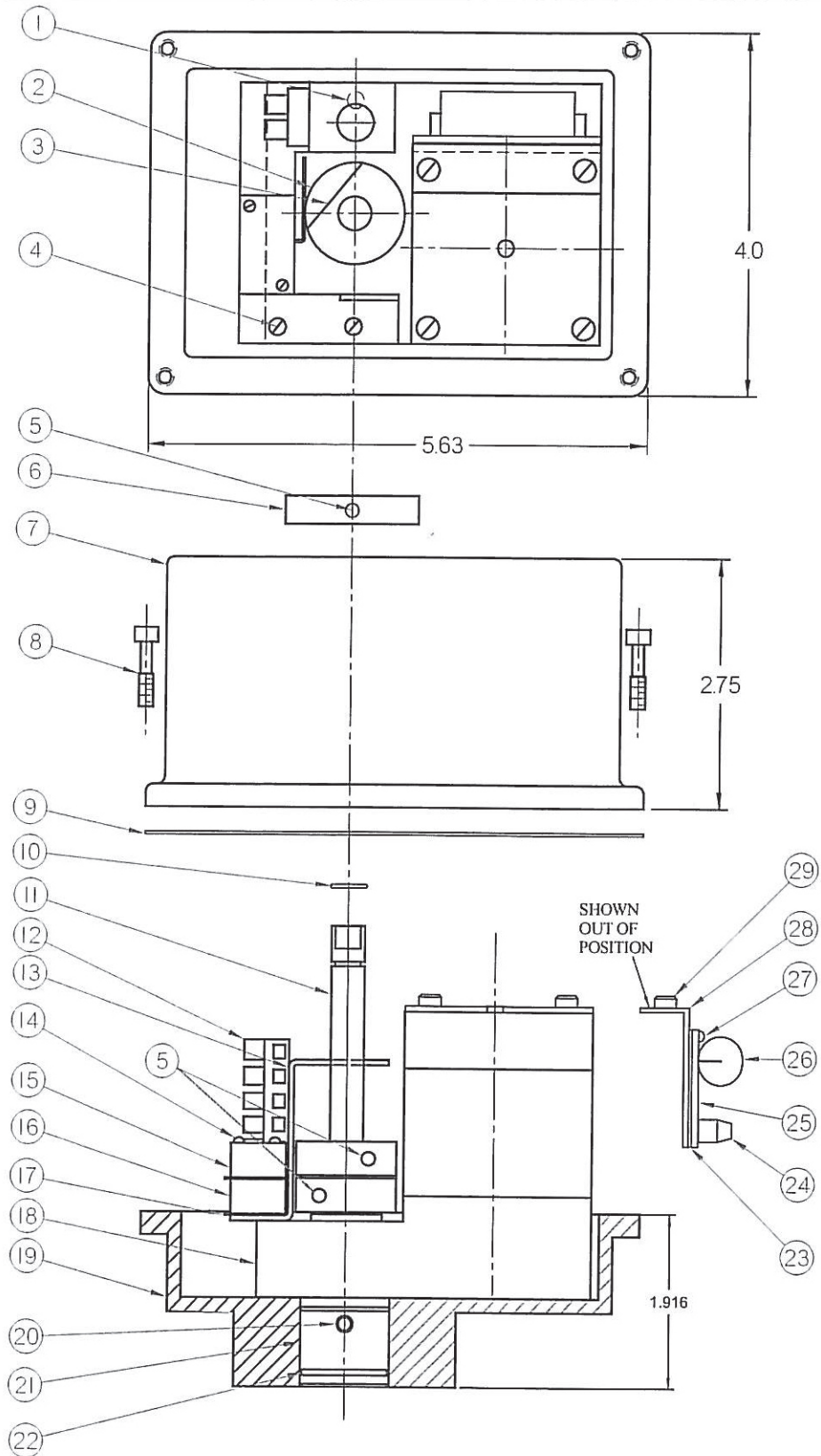


BI-100 EXPLODED VIEW



BI-100 EXPLODED VIEW

NO.	DESCRIPTION	MATERIAL	QUANTITY	PART NO.
1	SOCKET HD. SCREW	SS	1	47006
2	CAM, CLOSE	PLASTIC	1	38005ZB
3	CAM, OPEN	PLASTIC	1	38005ZY
4	FLAT HD. SCREW	SS	3	47005D
5	SET SCREW	SS	3	47015
6	INDICATOR	PLASTIC	1	NA
7	COVER	AL.	1	2001N7
8	CAPTIVE SCREWS	SS	4	47021
9	GASKET	BUNA-N	1	NA
10	O-RING	BUNA-N	1	NA
11	SHAFT (COMES WITH GEARMOTOR)	STL.	1	Does not ext thru cover
12	TERMINAL STRIP	PLASTIC	1	29010N
13	BRACKET	SS	1	39030
14	SCREWS	SS	2	47000
15	SWITCH, OPEN	---	1	24000-O
16	SWITCH, CLOSE	---	1	24000-C
17	INSULATOR	FP	2	24000FP
18	GEARMOTOR, 115V-50/60HZ-1 PH	---	1	21010
19	BASE, ISO F03	AL.	1	7001F03N7
20	DRIVE PIN	STL.	1	43009
21	OUTPUT DRIVE (ISO 5211 F03)	SS	1	4019F03
22	O-RING	BUNA-N	1	10015
23	INSULATOR	FP	1	22037FP
24	TERMINAL STRIP	PLASTIC	2	29006
25	PRINTED CIRCUIT BOARD	FR4	1	22037
26	CAPACITOR	---	1	30003
27	RIVIT	STL.	3	47500
28	BRACKET	STL.	1	39033
29	SCREWS	SS	2	47012A

MODEL R4BF04-2

19	BASE, ISO F04	AL.	1	7001F04N7
21	OUTPUT DRIVE (ISO 5211 F04)	SS	1	4065F04

FP = FISH PAPER