



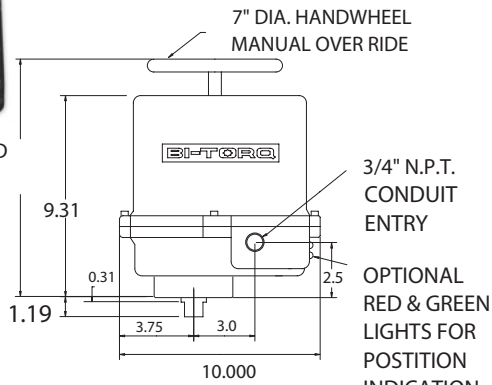
ELECTRIC ACTUATORS

BI-2000-E AND 3800-E

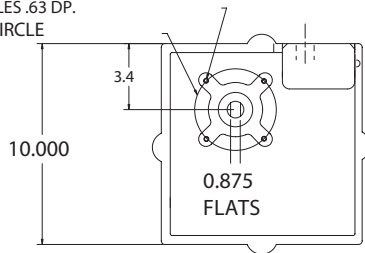


11.63 DISENGAGED
10.75 ENGAGED

CLEARANCE REQUIRED
FOR COVER REMOVAL:
4.000"



(4) 3/8x16 TAPPED HOLES .63 DP.
4.242 DIA. BOLT CIRCLE



SPECIFICATIONS FOR 115VAC ACTUATOR

Output Torque	BI-2000...2000 inch pounds BI-3800...3800 inch pounds
Cycle Time	BI-2000...12 sec/90° BI-3800...14 sec/90°
Duty Cycle	100%
Standard Motor	115VAC/60Hz/1ph
Standard Enclosure	NEMA 4
Enclosure Material	Aluminum
Enclosure Coating	Thermal bonding polyester powder
Temperature Rating**	-40° F to +150° F
Thermal Overload Protection	Standard
Manual Override	Standard Declutchable
Lock Rotor Current	BI-2000...2.6 amps BI-3800...2.9 amps
Switches	15A, 1/2 HP 125 250VAC/0.5A/125VDC
Weight	30 pounds

**heater required below 0° F