

FLP-HT SERIES 2-1/2" THROUGH 4" 150# FLANGED



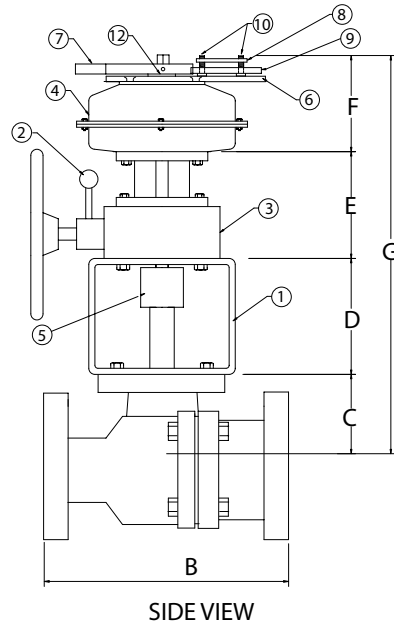
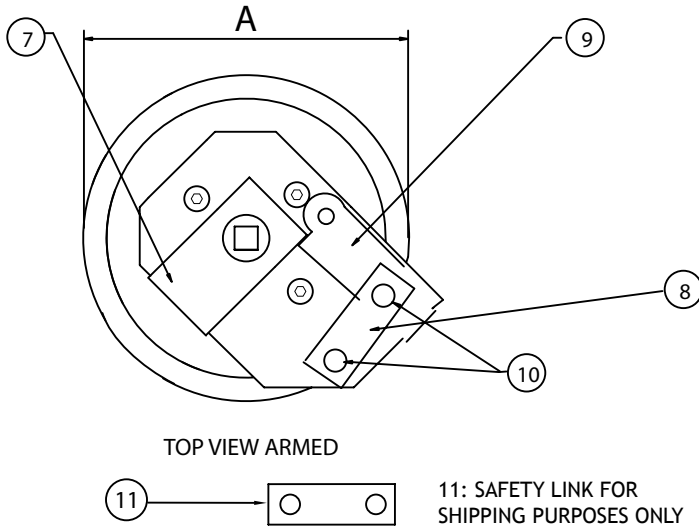
FLP-HT series fusible link shown with 4" stainless steel flanged ball valve
NOTE: The FLP-HT Series incorporates a declutchable manual override to arm and operate the assembly.

PART NUMBERS	
FLP-HT-109/129-***-XXX-BV-ED50-DT7	With 316SS API 607 fire safe valve
FLP-HT-109/129-***-XXX-BV-W50-DT7	With WCB/SS API 607 fire safe valve

***: Select a link temperature from the chart below.
XXX: valve size (i.e., 025=2-1/2", 030=3", 040=4")
2-1/2" and 3" use 109 spring pack; 4" uses 129 spring pack

LINK PART NUMBER	LINK YIELD TEMPERATURE	MAXIMUM AMBIENT TEMPERATURE
FL-1-165	165° F/74° C	135° F/57° C
FL-1-212	212° F/100° C	185° F/82° C
FL-1-286	286° F/138° C	253° F/123° C
FL-1-360	360° F/182° C	330° F/166° C

NOTE: Links should be replaced on an annual basis as part of a regular maintenance program. Links are not rated for use in corrosive atmospheres.



DIMENSIONS

SIZE	2-1/2"	3"	4"
A	8.110	8.110	10.160
B	7.500	8.000	9.000
C	3.520	4.230	4.840
D	5.000	5.000	6.000
E	4.770	4.770	4.770
F	5.750	5.750	6.550
G	19.040	19.750	22.160
WEIGHT (LBS.)	94.40	102.40	146.33

BILL OF MATERIALS

1	SPRING PACK MOUNTING BRACKET	CARBON STEEL	7	ARMING LEVER	STAINLESS STEEL
2	DECLUTCH LEVER	STEEL	8	FUSIBLE LINK	SOLDERED METAL
3	DECLUTCH GEAR OPERATOR	CAST STEEL	9	LEVER RETAINING ARM	STAINLESS STEEL
4	107-030 OR 127-030 SPRING PACK	EPOXY COATED STEEL	10	LINK RETAINING STUDS	STAINLESS STEEL
5	VALVE ADAPTER	CARBON STEEL	11	SAFETY LINK	CARBON STEEL
6	FUSIBLE LINK MOUNTING PLATE	STAINLESS STEEL	12	SPACER	STEEL

The policy of AVK Carbo-Bond is one of continuous improvement. We reserve the right to alter the product as described and illustrated without notice.