

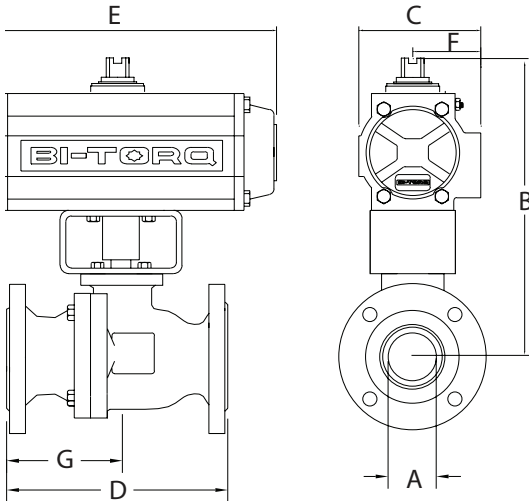
AUTOMATED STAINLESS STEEL FLANGED VALVES



- Full Port SS Ball Valves
1/2" through 4" ANSI Flanged
- ISO Mounting Pad
- Electric and Pneumatic Actuators
- Belleville Washers and Adjustable Stem Packing for High Cycle Automation Applications
- Available as API607 Fire Safe Rated (with Graphoil Seals)



PNEUMATIC ACTUATORS



ALL STANDARD PNEUMATIC ACTUATORS SIZED FOR 80 PSI SUPPLY; PLEASE CONSULT OUR SALES STAFF FOR OTHER COMBINATIONS

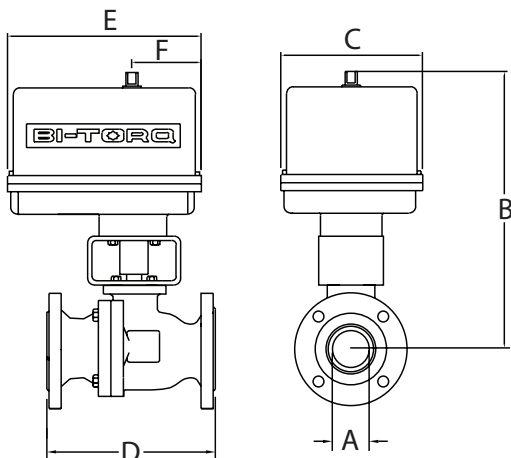
DOUBLE ACTING

	1/2"	3/4"	1"	1-1/4"	1-1/2"	2"	2-1/2"	3"	4"
A	1/2"	3/4"	1"	1-1/4"	1-1/2"	2"	2-1/2"	3"	4"
B	6.07	7.45	7.78	8.16	8.57	9.20	11.76	12.29	14.59
C	1.77	2.80	2.80	3.17	3.17	3.17	4.17	4.17	5.39
D	4.25	4.62	5.00	5.50	6.50	7.00	7.50	8.00	9.00
E	4.33	5.49	5.49	6.38	6.38	8.15	9.35	9.35	12.91
F	0.89	1.61	1.61	1.77	1.77	2.07	2.30	2.30	2.87
ACT.	32DA	52DA	52DA	63DA	63DA	75DA	85DA	85DA	115DA
WT.	7.05	10.30	12.30	17.30	21.50	28.60	52.15	56.50	95.60

SPRING RETURN

	1/2"	3/4"	1"	1-1/4"	1-1/2"	2"	2-1/2"	3"	4"
A	1/2"	3/4"	1"	1-1/4"	1-1/2"	2"	2-1/2"	3"	4"
B	7.47	7.88	8.57	9.29	9.67	10.70	13.27	14.45	16.42
C	3.17	3.17	3.72	4.17	4.17	4.84	5.39	5.83	7.36
D	4.25	4.62	5.00	5.50	6.50	7.00	7.50	8.00	9.00
E	6.38	6.38	8.15	9.35	9.35	10.66	12.91	14.41	20.55
F	1.77	1.77	2.07	2.30	2.30	2.68	2.87	3.15	3.94
ACT.	63SR	63SR	75SR	85SR	85SR	100SR	115SR	125SR	160SR
WT.	9.95	11.95	17.08	24.50	27.25	36.45	63.35	80.50	132.80

ELECTRIC ACTUATORS



	1/2"	3/4"	1"	1-1/4"	1-1/2"	2"	2-1/2"	3"	4"
A	1/2"	3/4"	1"	1-1/4"	1-1/2"	2"	2-1/2"	3"	4"
B	8.01	8.13	9.34	10.10	10.48	13.90*	14.97*	15.68*	15.84*
C	4.00	4.00	4.25	4.25	4.25	7.00	7.00	7.00	7.00
D	4.25	4.62	5.00	5.50	6.50	7.00	7.50	8.00	9.00
E	5.63	5.63	6.88	6.88	7.00	7.00	7.00	7.00	7.00
F	2.31	2.31	2.43	2.43	2.38	2.38	2.38	2.38	2.38
ACT.	100E	100E	200E	300E	300E	675E	675E	1000E	1500E
WT.	11.00	13.00	17.00	23.00	26.00	37.00	55.00	65.00	94.00

*INCLUDES DECLUTCHABLE MANUAL OVERRIDE

ALL ELECTRIC ACTUATOR DIMENSIONS ARE FOR NEMA 4 ENCLOSURES. FOR NEMA 7 ENCLOSURE DIMENSIONS, PLEASE CONSULT OUR SALES STAFF.



IS-2PF SERIES SS FLANGED BALL VALVES

BILL OF MATERIALS

PART #	NAME	MATERIAL	QTY
1	BODY	ASTM A351 GR CF8M	1
2	ENDS	ASTM A351 GR CF8M	2
3	BALL	ASTM A351 GR CF8M	1
4	SEAT	RTFE	2
5	BODY SEAL	RTFE	2
6	STEM SEAL	RTFE	1
7	STEM PACKING	PTFE	1
8	THRUST WASHER	50% PTFE + 50% SS POWDER	1
9	O-RING	VITON	1
10	BELLEVILLE WASHER	304SS	2
11	LOCK WASHER	304SS	1
12	STEM NUT	304SS	1
13	HANDLE	304SS	1

VALVE FEATURES

- Full port stainless steel ball valve 1/2" through 4"
- Class 150# flanged designed to ANSI B16.34 standards
- TFE® seats and seals
- Optional fire safe design (w/graphoil seals)
- ISO mounting pad

PRESSURE RATING
Class 150 flanged

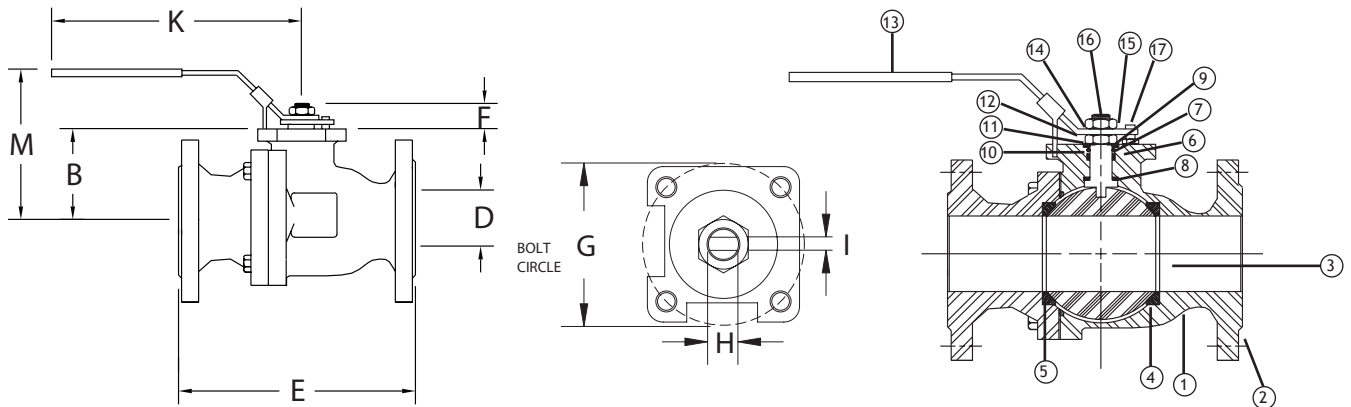
TEMPERATURE RATING
+450° F Maximum CWP
+366° F Steam Maximum

ACTUATOR FEATURES

- PNEUMATIC ACTUATORS**
- Rack and pinion design
 - Spring return or double acting
 - open and closed adjustment stops
 - true NAMUR accessory mounting
 - visual indicator
- ELECTRIC ACTUATORS**
- 120VAC, 220VAC, 24VAC, 12VDC, 24VDC
 - NEMA 4 and NEMA 7 enclosures
 - Manual override
 - visual indicator

NOTE: Maximum temperature rating for standard actuators is 150° F (electric) and 180° (pneumatic). Special seals or heat extensions are available for high temperature service.

For more information on BI-TORQ® actuators, please refer to brochures PN-2007 and EL-2008 or www.bitorq.com



DIMENSIONAL DATA

SIZE	ISO 5211	B	D	E	F	G	H	I	K	M	CV	WEIGHT (LBS.)
1/2"	F04	1.51	0.59	4.25	0.24	1.42	0.248	0.472	5.90	3.53	15	4
3/4"	F04	1.63	0.78	4.62	0.24	1.42	0.248	0.472	5.90	3.88	40	6
1"	F05	1.96	0.98	5.00	0.31	1.97	0.315	0.511	7.08	4.25	70	8
1-1/4"	F05	1.97	1.25	5.50	0.37	1.97	0.315	0.511	7.08	4.62	130	12
1-1/2"	F07	2.61	1.57	6.50	0.37	2.76	0.374	0.525	8.26	5.00	240	16
2"	F07	2.95	1.96	7.00	0.37	2.76	0.374	0.525	8.26	6.00	400	21
2-1/2"	F07	3.52	2.55	7.50	0.66	2.76	0.669	1.140	10.23	7.00	700	38
3"	F10	4.23	3.14	8.00	0.66	4.02	0.669	1.140	10.23	7.50	980	46
4"	F10	4.84	3.93	9.00	0.66	4.02	0.669	1.140	12.20	9.00	1700	73

ALL VALVES ARE 100% ELECTRONICALLY TESTED AT 80 PSI IN BOTH THE OPEN AND CLOSED POSITIONS