

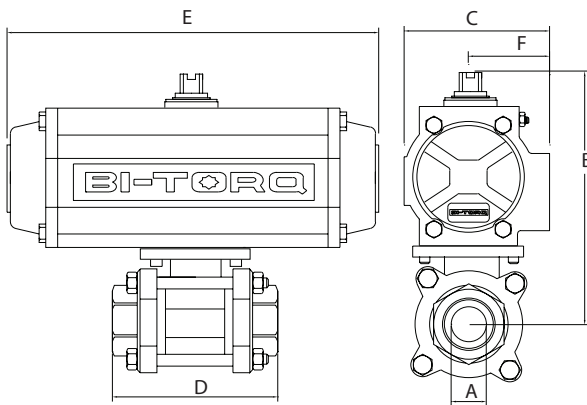
AUTOMATED 3-PC STAINLESS STEEL BALL VALVE



- Full Port 3-Piece SS Ball Valves
1/4" through 4" NPT
- Direct Mount for Low-Profile,
Cost-Efficient Operations
- Electric and Pneumatic Actuators
- NPT, socket weld or butt weld end
- Vacuum rated to 29 inHg



PNEUMATIC ACTUATORS



ALL STANDARD PNEUMATIC ACTUATORS SIZED FOR 80 PSI SUPPLY; PLEASE CONSULT OUR SALES STAFF FOR OTHER COMBINATIONS

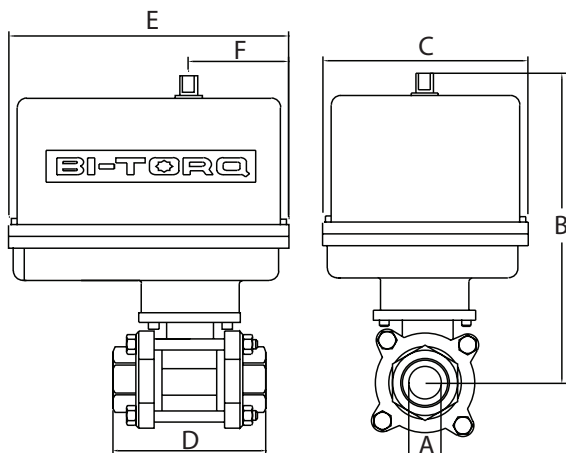
DOUBLE ACTING

	1/4"	3/8"	1/2"	3/4"	1"	1-1/4"	1-1/2"	2"	2-1/2"	3"	4"
A	1/4"	3/8"	1/2"	3/4"	1"	1-1/4"	1-1/2"	2"	2-1/2"	3"	4"
B	4.52	4.52	4.52	4.68	5.57	5.80	6.64	7.04	8.68	9.08	13.05
C	1.77	1.77	1.77	1.77	2.80	2.80	3.17	3.17	3.17	4.17	5.39
D	2.36	2.36	2.95	3.15	3.54	4.33	4.72	5.51	7.37	7.40	9.45
E	4.33	4.33	4.33	4.33	5.49	5.49	6.38	6.38	9.35	9.35	12.91
F	0.89	0.89	0.89	0.89	1.61	1.61	1.77	1.77	2.30	2.30	2.87
ACT.	32DA	32DA	32DA	32DA	52DA	52DA	63DA	63DA	85DA	85DA	115DA
WT.	2.32	2.32	2.50	2.80	5.40	6.65	9.95	13.30	28.80	37.50	69.10

SPRING RETURN

	1/4"	3/8"	1/2"	3/4"	1"	1-1/4"	1-1/2"	2"	2-1/2"	3"	4"
A	1/4"	3/8"	1/2"	3/4"	1"	1-1/4"	1-1/2"	2"	2-1/2"	3"	4"
B	5.10	5.10	5.10	5.26	6.01	6.24	7.29	8.69	10.37	10.77	14.88
C	2.80	2.80	2.80	2.80	3.17	3.17	3.72	4.85	5.39	5.39	7.36
D	2.36	2.36	2.95	3.15	3.54	4.33	4.72	5.51	7.37	7.40	9.45
E	5.49	5.49	5.49	5.49	6.38	6.38	8.15	10.69	12.91	12.91	20.55
F	1.61	1.61	1.61	1.61	1.77	1.77	2.07	2.68	2.87	2.87	3.94
ACT.	52SR	52SR	52SR	52SR	63SR	63SR	75SR	100SR	115SR	115SR	160SR
WT.	3.92	3.92	4.10	4.40	7.05	8.30	13.70	24.50	43.65	52.35	105.3

ELECTRIC ACTUATORS



	1/4"	3/8"	1/2"	3/4"	1"	1-1/4"	1-1/2"	2"	2-1/2"	3"	4"
A	1/4"	3/8"	1/2"	3/4"	1"	1-1/4"	1-1/2"	2"	2-1/2"	3"	4"
B	6.27	6.27	6.27	6.43	7.43	7.66	8.06	8.41	12.57*	12.97*	18.61**
C	4.00	4.00	4.00	4.00	4.25	4.25	4.25	4.25	7.00	7.00	10.00
D	2.36	2.36	2.95	3.15	3.54	4.33	4.72	5.51	7.37	7.40	9.45
E	5.60	5.60	5.60	5.60	6.88	6.88	6.88	6.88	7.00	7.00	10.00
F	2.30	2.30	2.30	2.30	2.43	2.43	2.43	2.43	2.38	2.38	3.75
ACT.	100E	100E	100E	100E	200E	200E	200E	300E	675E	1000E	2000E
WT.	6.27	6.27	6.45	6.75	10.10	11.35	13.65	17.00	34.30	33.00	81.50

*INCLUDES DECLUTCHABLE MANUAL OVERRIDE

**REQUIRES MOUNTING KIT (INCLUDED IN DIMENSIONS)

ALL ELECTRIC ACTUATOR DIMENSIONS ARE FOR NEMA 4 ENCLOSURES. FOR NEMA 7 ENCLOSURE DIMENSIONS, PLEASE CONSULT OUR SALES STAFF.

IS-3PT SERIES 3-PIECE SS BALL VALVES

BILL OF MATERIALS

PART #	NAME	MATERIAL	QTY
1	ENDS	ASTM A351 GR CF8M	2
2	BODY SEAL	PTFE	1
3	BALL	316SS	1
4	BODY	ASTM A351 GR CF8M	1
5	SEAT	RTFE	2
6	WASHER	304SS	4
7	NUT	304SS	4
8	STEM SEAL	PTFE	1
9	O-RING	VITON	1
10	STEM PACKING	PTFE	1
11	BELLEVILLE WASHER	304SS	2
12	STEM NUT	304SS	1
13	STEM	316SS	1

VALVE FEATURES

- Full port stainless steel ball valve 1/4" through 4"
- NPT, socket or butt weld ends
- RTFE[®] seats/TFE seals
- Swing out design for easy maintenance
- ISO mounting pad

PRESSURE RATING
1000 WOG

TEMPERATURE RATING
+450° F Maximum CWP
-40° F Minimum
+366° F Steam Maximum

NOTE: Maximum temperature rating for standard actuators is 150° F (electric) and 180° (pneumatic). Special seals or heat extensions are available for high temperature service.

For more information on BI-TORQ[®] actuators, please refer to brochures PN-2007 and EL-2008, or www.bitorq.com

ACTUATOR FEATURES

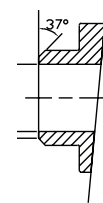
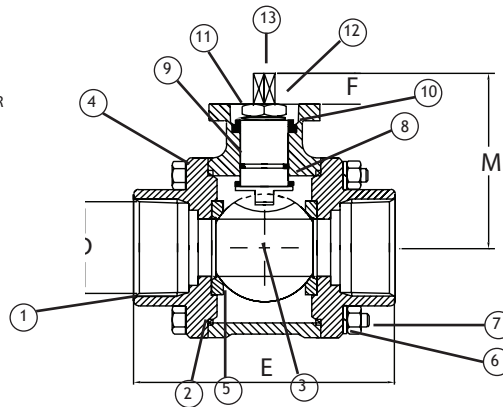
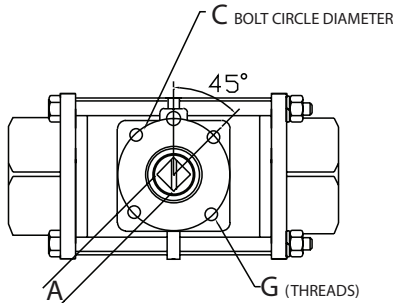
PNEUMATIC ACTUATORS

- Rack and pinion design
- Spring return or double acting
- open and closed adjustment stops
- true NAMUR accessory mounting
- visual indicator

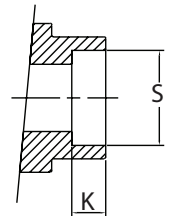
ELECTRIC ACTUATORS

- 120VAC, 220VAC, 24VAC, 12VDC, 24VDC
- NEMA 4 and NEMA 7 enclosures
- Manual override
- visual indicator

NOTE: NOT RECOMMENDED FOR USE IN OZONE SERVICE; PLEASE CONSULT FACTORY FOR RECOMMENDED VALVES



butt weld option



socket weld option

DIMENSIONAL DATA

SIZE	ISO 5211	A	B	C	D	E	F	G	K	M	S	T	CV	WOG	WEIGHT (LBS.)
1/4"	F03-F04	0.354	0.45	1.42/1.65	0.45	2.36	0.354	0.22/0.28	0.40	1.93	0.86	0.04	6	1000	1.27
3/8"	F03-F04	0.354	0.50	1.42/1.65	0.50	2.36	0.354	0.22/0.28	0.40	1.93	0.86	0.04	9	1000	1.27
1/2"	F03-F04	0.354	0.59	1.42/1.65	0.59	2.95	0.354	0.22/0.28	0.50	1.93	0.86	0.04	21	1000	1.45
3/4"	F03-F04	0.354	0.79	1.42/1.65	0.79	3.15	0.354	0.22/0.28	0.62	2.09	1.06	0.04	37	1000	1.75
1"	F04-F05	0.433	0.98	1.65/1.97	0.98	3.54	0.551	0.28/0.35	0.69	2.60	1.33	0.06	58	1000	3.10
1-1/4"	F04-F05	0.433	1.26	1.65/1.97	1.26	4.33	0.551	0.28/0.35	0.75	2.83	1.67	0.06	93	1000	4.35
1-1/2"	F05-F07	0.551	1.50	1.97/2.76	1.50	4.72	0.551	0.28/0.35	0.88	3.23	1.92	0.06	139	1000	6.65
2"	F05-F07	0.551	1.97	1.97/2.76	1.97	5.51	0.551	0.28/0.35	0.88	3.63	2.41	0.09	232	1000	10.00
2-1/2"	F07-F10	0.669	2.50	2.76/4.02	2.50	7.37	0.790	0.28/0.35	0.88	4.41	2.91	0.10	371	800	21.30
3"	F07-F10	0.669	3.14	2.76/4.02	3.14	7.40	0.790	0.28/0.35	1.00	4.81	3.54	0.10	557	800	30.00
4"	F10-F12	0.869	3.82	4.02/4.92	3.82	9.45	0.866	0.35/0.50	1.26	6.30	4.54	0.10	1157	800	51.50

ALL VALVES ARE 100% ELECTRONICALLY TESTED AT 80 PSI IN BOTH THE OPEN AND CLOSED POSITIONS