

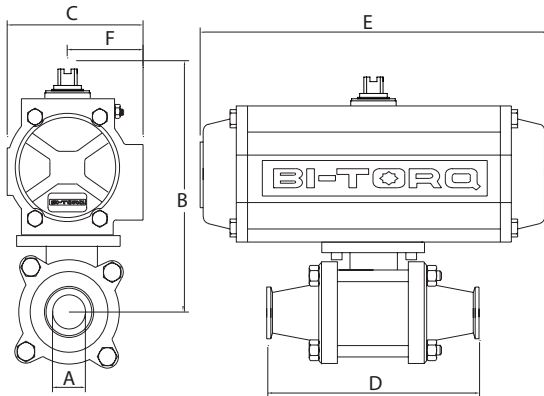
AUTOMATED SANITARY CLAMP END BALL VALVES



- Full Port SS Sanitary Ball Valves
1/2" through 4" clamp end
- ISO Mounting Pad
- Electric and Pneumatic Actuators
- Clamp ends and cavity fillers ideal for food, beverage and pharmaceutical applications



PNEUMATIC ACTUATORS



ALL STANDARD PNEUMATIC ACTUATORS SIZED FOR 80 PSI SUPPLY; PLEASE CONSULT OUR SALES STAFF FOR OTHER COMBINATIONS

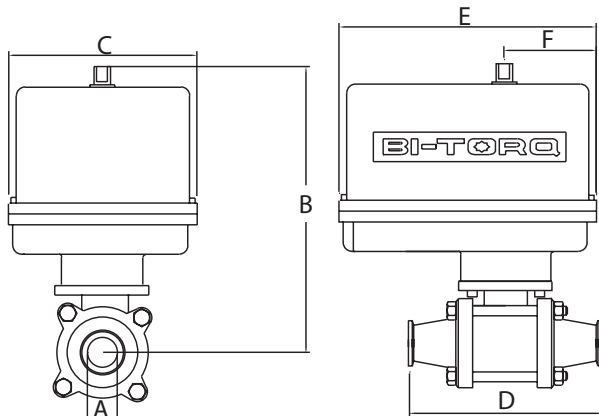
DOUBLE ACTING

	A	1/2"	3/4"	1"	1-1/2"	2"	2-1/2"	3"	4"
B	4.52	5.59	5.87	7.66	8.02	9.31	10.17	11.07	
C	1.77	2.80	2.80	3.72	3.72	4.17	4.84	5.39	
D	3.50	4.69	4.88	5.55	6.38	7.76	9.02	9.49	
E	4.33	5.49	5.49	8.15	8.15	9.35	10.69	12.91	
F	0.89	1.61	1.61	2.07	2.07	2.30	2.68	2.87	
ACT.	32DA	52DA	52DA	75DA	75DA	85DA	100DA	115DA	
WT.	2.65	4.30	5.25	11.30	14.60	29.80	46.35	66.30	

SPRING RETURN

	A	1/2"	3/4"	1"	1-1/2"	2"	2-1/2"	3"	4"
B	5.48	6.03	6.31	8.62	8.98	11.00	11.82	12.90	
C	2.80	3.17	3.17	4.84	4.84	5.39	5.39	7.36	
D	3.50	4.69	4.88	5.55	6.38	7.76	9.02	9.49	
E	5.49	6.38	6.38	10.69	10.69	12.91	12.91	20.55	
F	1.61	1.77	1.77	2.68	2.68	2.87	2.87	3.94	
ACT.	52SR	63SR	63SR	100SR	100SR	115SR	125SR	160SR	
WT.	4.15	5.95	6.85	20.15	23.45	46.65	65.70	103.50	

ELECTRIC ACTUATORS



	A	1/2"	3/4"	1"	1-1/2"	2"	2-1/2"	3"	4"
B	6.34	6.50	7.26	11.54*	11.89*	13.10*	13.86*	16.89	
C	4.00	4.00	4.25	7.00	7.00	7.00	7.00	10.00	
D	3.50	4.69	4.88	5.55	6.38	7.76	9.02	9.49	
E	5.60	5.60	6.80	7.00	7.00	7.00	7.00	10.00	
F	2.30	2.30	2.43	2.38	2.38	2.38	2.38	6.75	
ACT.	100E	100E	200E	400E	675E	1000E	1500E	2000E	
WT.	6.40	7.00	9.90	18.70	22.00	37.30	48.20	80.70	

*INCLUDES DECLUTCHABLE MANUAL OVERRIDE

ALL ELECTRIC ACTUATOR DIMENSIONS ARE FOR NEMA 4 ENCLOSURES. FOR NEMA 7 ENCLOSURE DIMENSIONS, PLEASE CONSULT OUR SALES STAFF.

IS-3TC SERIES SANITARY BALL VALVES

BILL OF MATERIALS

PART #	NAME	MATERIAL	QTY
1	END CAP	ASTM A351 /GR CF8M	2
2	BODY SEAL	TFE	2
3	BALL	ASTM A351/316SS	1
4	BODY	ASTM A351/316SS	1
5	BALL SEAT	TFE	2
6	SPRING WASHER	304SS	1
7	GLAND NUT	304SS	1
8	STEM SEAL	TFE	1
9	O-RING	VITON	1
10	STEM PACKING	TFE	1
11	FOLLOWER	304SS	1
12	BELLEVILLE SPRING WASHERS	301SS	4
13	STEM NUT	304SS	1
14	STEM	316SS	1
15	BODY BOLT	304SS	4
16	HANDLE	304SS	1

VALVE FEATURES

- Full port sanitary valve 1/2" through 4"
- 240 grit bore polish
- cavity filled TFE[®] seats to reduce the threat of media entrapment
- Swing out design for easy maintenance
- Polished clamp end to meet BS 4825.3

PRESSURE RATING
1000 WOG

TEMPERATURE RATING
+450° F Maximum CWP
-40° F minimum
+297° F Steam Maximum

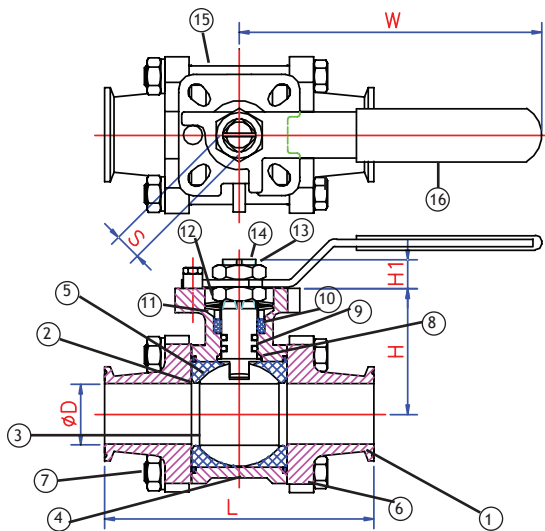
NOTE: Maximum temperature rating for standard actuators is 150° F (electric) and 180° (pneumatic). Special seals or heat extensions are available for high temperature service.

For more information on BI-TORQ[®] actuators, please refer to brochures PN-2007 and EL-2008, or www.bitorq.com

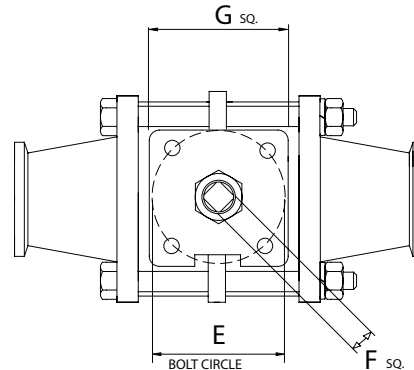
ACTUATOR FEATURES

- PNEUMATIC ACTUATORS**
- Rack and pinion design
 - Spring return or double acting
 - open and closed adjustment stops
 - true NAMUR accessory mounting
 - visual indicator

- ELECTRIC ACTUATORS**
- 120VAC, 220VAC, 24VAC, 12VDC, 24VDC
 - NEMA 4 and NEMA 7 enclosures
 - Manual override
 - visual indicator



Tube End and Extended Tube End Sanitary Valves also Available Upon Request



DIMENSIONAL DATA

SIZE	ISO 5211	D	E	F	G	H	H1	L	W	CV	PSI	WT.
1/2"	F03-F04	0.374	1.42/1.65	0.354	1.46	1.693	0.354	3.504	4.763	14	1000	1.4
3/4"	F03-F04	0.626	1.42/1.65	0.354	1.46	1.830	0.354	3.976	4.763	45	1000	2.0
1"	F04-F05	0.874	1.65/1.97	0.443	1.87	1.980	0.443	4.488	5.945	81	1000	2.9
1-1/2"	F05-F07	1.358	1.97/2.76	0.551	2.20	2.657	0.551	5.512	7.008	215	1000	5.7
2"	F05-F07	1.870	1.97/2.76	0.551	2.20	2.972	0.551	6.141	7.008	410	1000	9.0
2-1/2"	F07-F10	2.374	2.76/4.02	0.669	3.15	3.740	0.669	7.756	10.433	618	1000	19.3
3"	F07-F10	2.874	2.76/4.02	0.669	3.15	4.134	0.669	9.016	10.433	940	1000	31.2
4"	F10-F12	3.835	4.02/4.92	0.869	4.26	4.961	0.869	9.567	11.417	1840	1000	43.7

ALL VALVES ARE 100% ELECTRONICALLY TESTED AT 80 psi IN BOTH THE OPEN AND CLOSED POSITIONS