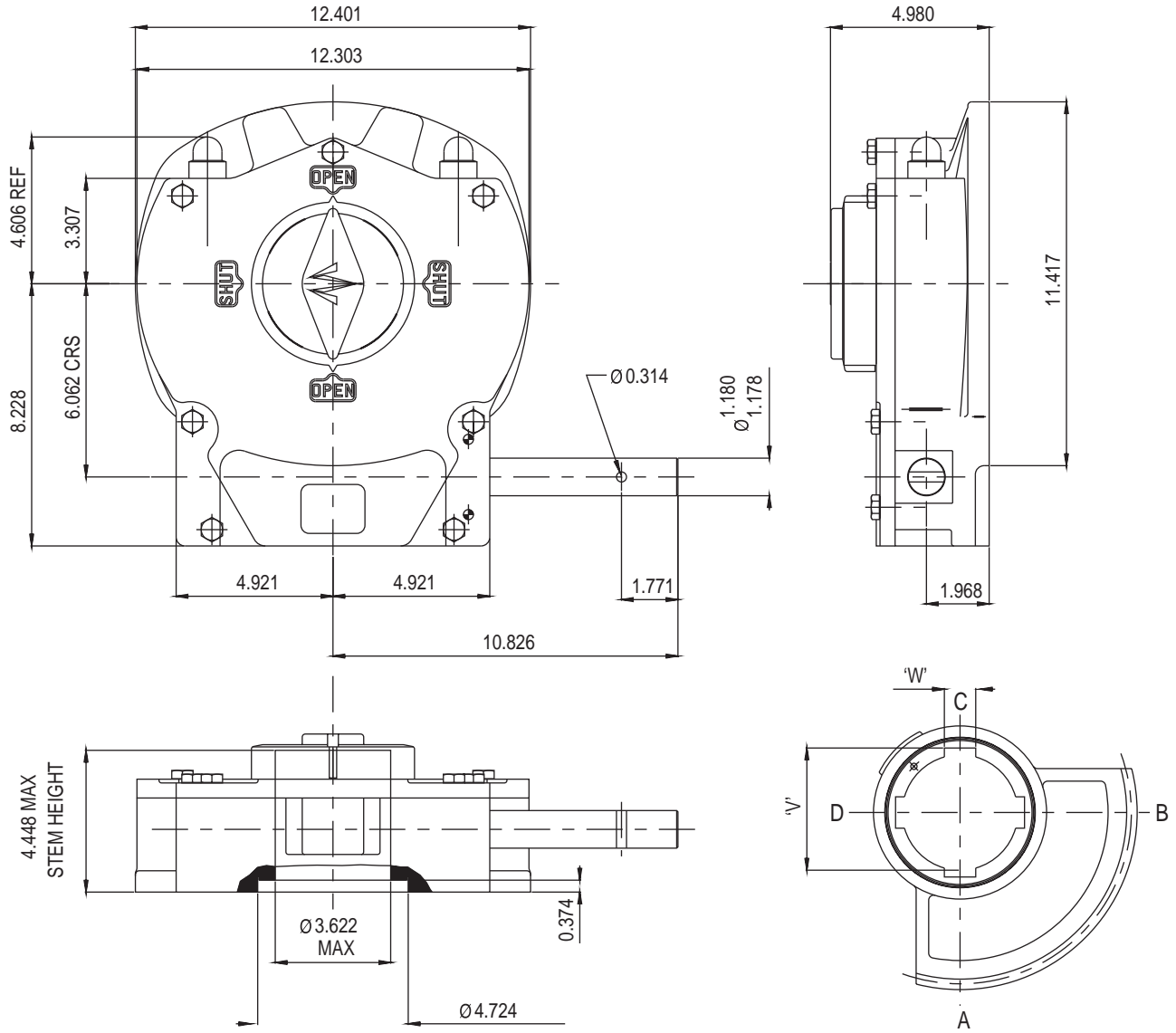


ACTUATOR TYPE - M16



GENERAL INFORMATION

TRAVEL..... 90° ±5° AT BOTH ENDS
 RATIO..... 88:1
 TURNS TO CLOSE..... 22

MECHANICAL ADVANTAGE..... 26.5 ±10%
 MAXIMUM OUTPUT TORQUE..... 39600 IN-LBS
 MAXIMUM INPUT TORQUE..... 1496 IN-LBS

MOUNTING HOLE DETAIL: PREFERRED... FA16 (4 x 3/4-10 ON 6.50 BCD)
 MAXIMUM..... FA25 (8 x 5/8-11 ON 10.00 BCD)
 MINIMUM..... FA16 (4 X 3/4-10 ON 6.50 BCD)

APPROXIMATE WEIGHT..... 91 LBS(41.2 Kg) (excluding handwheel)

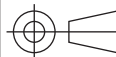
OUTPUT KEYWAY DETAILS SHOWN IN OPEN POSITION

HANDWHEEL DATA	
Ø	RIM PULL AT MAX TORQUE
R18	166 LBS
R24	124 LBS
R30	100 LBS
R36	83 LBS



MASTERGEAR

DIVISION OF REGAL-BELOIT CORPORATION
 5466 EAST ROCKTON RD. SOUTH BELOIT, IL 61080



DIMENSIONS
IN
INCH

SCALE

1:1

DRAWING
No.

M16

THIS DRAWING/DESIGN IS THE PROPERTY OF MASTERGEAR AND MUST NOT BE USED OR COPIED WITHOUT THEIR SPECIFIC WRITTEN CONSENT.



JRH

REV. A
5/13/02