

PVC AND CPVC BALL VALVE

PRESSURE RATING
235PSI at 73° through
2" for standard valve
TEMPERATURE RATING
varies with o-ring
material (EPDM, Viton®,
BUNA-N)



VALVE FEATURES

- PVC, CPVC, PVDF or Polypropylene construction
- 1/2" through 6"*
- TFE seats and EPDM, BUNA-N or Viton® o-ring seals
- Threaded, socket or flanged
- Patented design to help prevent leakage in case of stem damage
- ISO 5211 mounting pad saddles for easy actuation retrofit

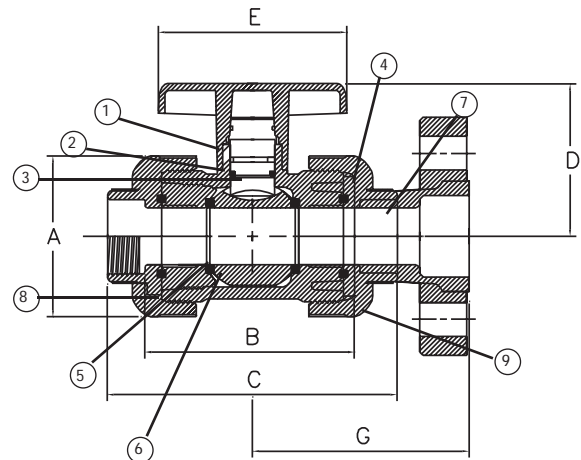
**NOTE: 5" and 6" valves are venturied style on a 4" body*

Valves are available in PVC, CPVC, PVDF or Polypropylene Construction

Please consult factory for media compatibility

BILL OF MATERIALS

PART #	NAME	MATERIAL	OPTION	QTY
1	STEM	PVC	CPVC	1
2	STEM O-RING	EPDM	BUNA-N VITON®	1
3	STEM BEARING	PP (1-1/4"+)	—	1
4	UNION NUT	PVC	CPVC	2
5	SEAT	TFE	---	2
6	BALL	PVC	CPVC	1
7	BODY	PVC	CPVC	1
8	CARRIER O-RING	EPDM	BUNA-N VITON®	1
9	SEAL CARRIER	EPDM	BUNA-N VITON®	1
10	END CONNECTOR	PVC	CPVC	2
11	CONNECTOR O-RING	EPDM	BUNA-N VITON®	2



DIMENSIONAL DATA

SIZE	A	B	C	D	E	G	CV	PSI	WEIGHT (LBS.)
1/2"	2.56	3.31	5.13	2.63	2.75	3.38	25	235	0.47
3/4"	3.00	4.00	6.13	2.69	3.25	3.94	51	235	0.81
1"	3.44	4.25	6.50	2.81	3.75	4.25	97	235	1.24
1-1/4"	3.69	4.50	7.00	3.31	4.13	4.44	204	235	2.25
1-1/2"	4.38	5.31	8.00	3.69	4.50	5.06	285	235	2.73
2"	5.13	5.75	8.75	4.31	5.25	5.50	540	235	4.68
2-1/2"	7.38	8.13	11.88	5.81	9.88	7.38	712	150	12.62
3"	7.67	8.43	12.08	6.21	10.10	7.51	1294	150	13.04
4"	8.94	8.50	12.94	6.75	10.81	8.00	2629	150	19.47