

3-WAY BRASS BALL VALVE



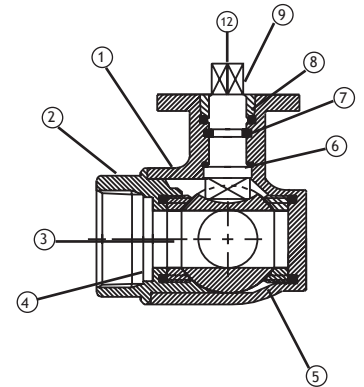
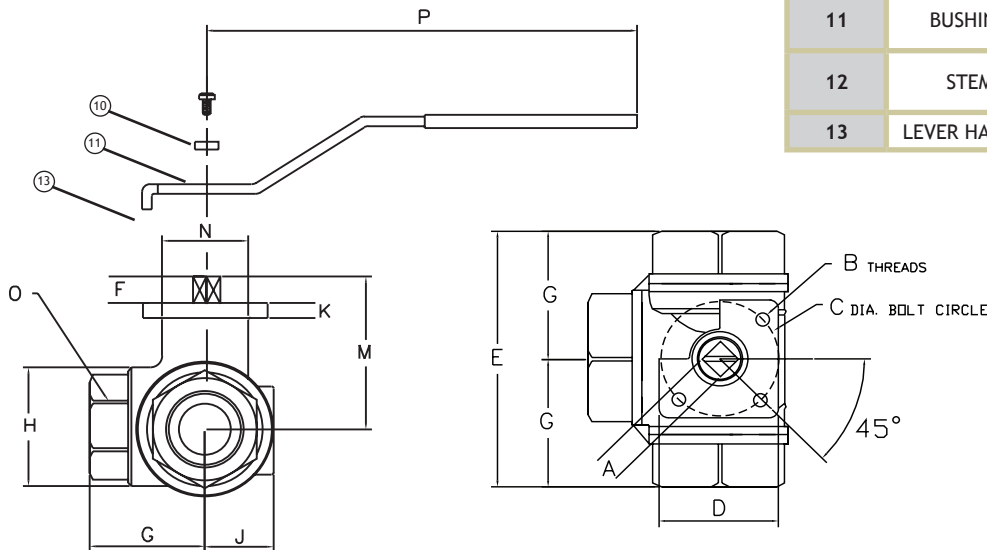
PRESSURE RATING
400WOG
TEMPERATURE RATING
+320° F Maximum CWP
100PSI Steam Maximum

VALVE FEATURES

- 3-way brass ball valve
- 1/4" through 3"
- Blow-out proof stem
- Chrome plated brass ball
- PTFE seats with O-ring backing for low torque
- T-port or L-port design
- ISO 5211 mounting pad

BILL OF MATERIALS

PART #	NAME	MATERIAL	QTY
1	BODY	BRASS CW 617N UNI EN 12165	1
2	ENDS	BRASS CW 617N UNI EN 12165	3
3	BALL	BRASS CW 617N UNI EN 12165	1
4	SEAT	PTFE	4
5	THRUST WASHER	PTFE	1
6	STEM SEAL	PTFE	1
7	PACKING NUT	BRASS CW 614N UNI EN 12164	1
8	O-RING (STEM)	FKM (VITON®)	1
9	O-RING (BODY)	FKM (VITON®)	4
10	SCREW	PLATED STEEL	1
11	BUSHING	BRASS CW 617N UNI EN 12165	1
12	STEM	BRASS CW 617N UNI EN 12165	1
13	LEVER HANDLE	PLATED STEEL	1



DIMENSIONAL DATA

SIZE	A	B	C	D	E	F	G	H	J	K	M	O	P	CV	PSI	WEIGHT (LBS.)
1/4"	0.354	0.23	1.42 (F03)	1.49	2.63	0.27	1.31	1.34	0.76	0.20	2.44	0.86	4.72	3.26	400	1.16
3/8"	0.354	0.23	1.42 (F03)	1.49	2.63	0.27	1.31	1.34	0.76	0.20	2.44	0.86	4.72	3.26	400	1.16
1/2"	0.354	0.23	1.42 (F03)	1.49	2.87	0.27	1.43	1.34	0.76	0.20	2.44	1.06	4.72	4.20	400	1.21
3/4"	0.354	0.23	1.42 (F03)	1.49	3.18	0.27	1.59	1.53	0.86	0.20	2.52	1.25	4.72	7.00	400	1.44
1"	0.433	0.27	1.97 (F05)	2.07	3.74	0.43	1.87	1.89	1.00	0.28	2.95	1.61	6.69	12.83	400	2.64
1-1/4"	0.433	0.27	1.97 (F05)	2.07	4.38	0.43	2.20	2.36	1.22	0.28	3.17	1.96	6.69	18.67	400	4.15
1-1/2"	0.433	0.27	1.97 (F05)	2.07	4.86	0.43	2.43	2.83	1.48	0.28	3.66	2.16	6.69	29.75	400	6.02
2"	0.551	0.35	2.76 (F07)	2.75	5.70	0.59	2.86	3.38	1.75	0.32	4.43	2.75	9.05	43.76	400	9.08
2-1/2"	0.551	0.35	2.76 (F07)	2.75	6.93	0.59	3.34	4.37	2.20	0.32	4.86	3.34	9.05	70	400	16.33
3"	0.551	0.35	2.76 (F07)	2.75	7.08	0.59	3.54	4.45	2.20	0.32	4.86	4.13	9.05	70	400	19.55