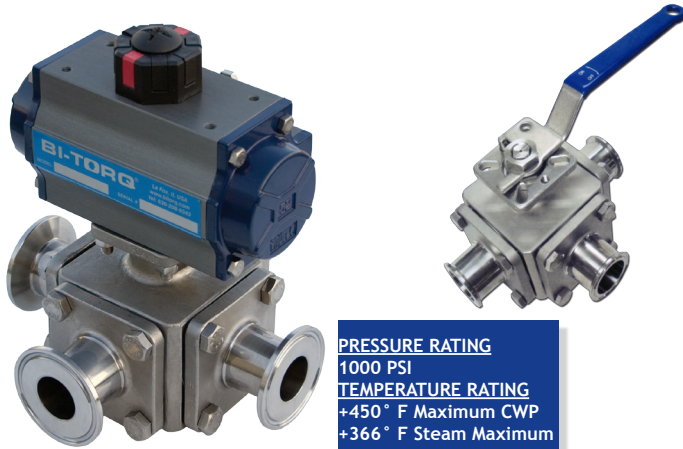


3-WAY SANITARY BALL VALVE



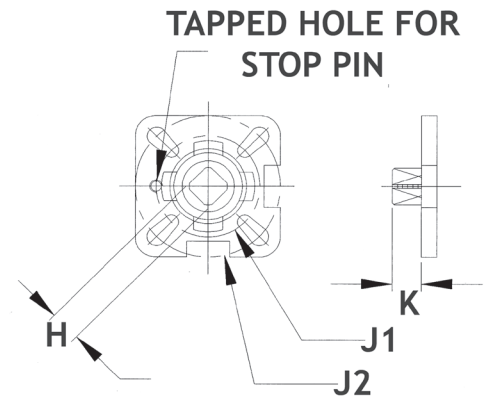
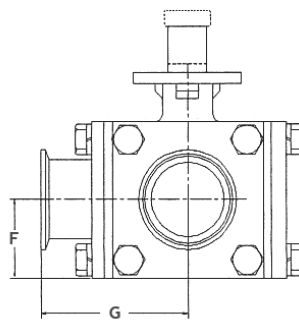
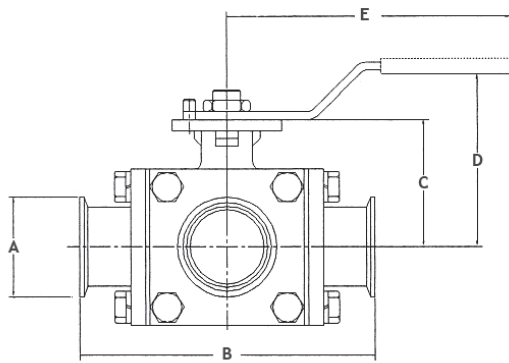
PRESSURE RATING
1000 PSI
TEMPERATURE RATING
+450 ° F Maximum CWP
+366 ° F Steam Maximum

VALVE FEATURES

- Full port stainless steel multi-port ball valve
- 1" through 4"
- Cavity filled seats available
- L-port and T-port designs
- ISO 5211 direct mounting pad for easy automation
- Self-adjusting stem packing
- Sanitary clamp end
- Optional padlock device

BILL OF MATERIALS

PART #	NAME	MATERIAL	QTY
1	BODY	ASTM A351 GR CF8M	1
2	ENDS	ASTM A351 GR CF8M	3
3	SEAT	PTFE	4
4	BALL	316SS	1
5	STEM	316SS	1
6	JOINT GASKET	PTFE	1
7	GASKET	PTFE	1
8	SEAL	PTFE	1
9	GLAND RING	304SS	1
10	O-RING	VITON	1
11	BELLVILLE SPRING WASHER	301SS	2
12	LEVER NUT	304SS	1
13	LOCKING TAB	304SS	1
14	HANDLE	304SS	1
15	GRIP	VINYL	1
16	STOP BOLT	304SS	1
17	BOLTS	304SS	4
18	ANTI-STATIC DEVICE	316SS	1
19	SPRING	316SS	1



DIMENSIONAL DATA

SIZE	ISO 5211	A	B	C	D	E	F	G	H	J1	J2	K
1/2"	F03-F04	1.00	4.60	1.80	3.00	4.70	---	2.30	0.354	1.42	1.64	0.354
3/4"	F03-F04	1.00	5.00	1.90	3.10	4.70	1.10	2.50	0.354	1.42	1.64	0.354
1"	F04-F05	2.00	6.00	2.30	3.40	5.40	1.20	3.00	0.433	1.64	1.97	0.433
1-1/2"	F05-F07	2.00	6.90	2.80	4.00	7.20	1.60	3.40	0.551	1.97	2.76	0.551
2"	F05-F07	2.50	7.20	3.20	4.40	7.20	2.00	3.70	0.551	1.97	2.76	0.551
2-1/2"	F07-F10	3.00	9.00	3.90	4.30	14.60	2.40	4.20	0.669	2.76	4.02	0.669
3"	F10-F12	3.60	10.20	4.90	5.30	15.70	2.90	4.80	0.870	4.02	4.92	0.910
4"	F10-F12	4.70	12.50	5.40	5.80	15.70	3.30	5.70	0.870	4.02	4.92	0.910