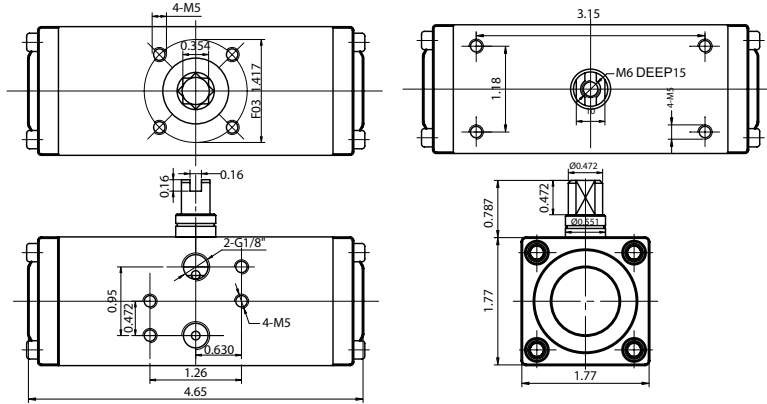
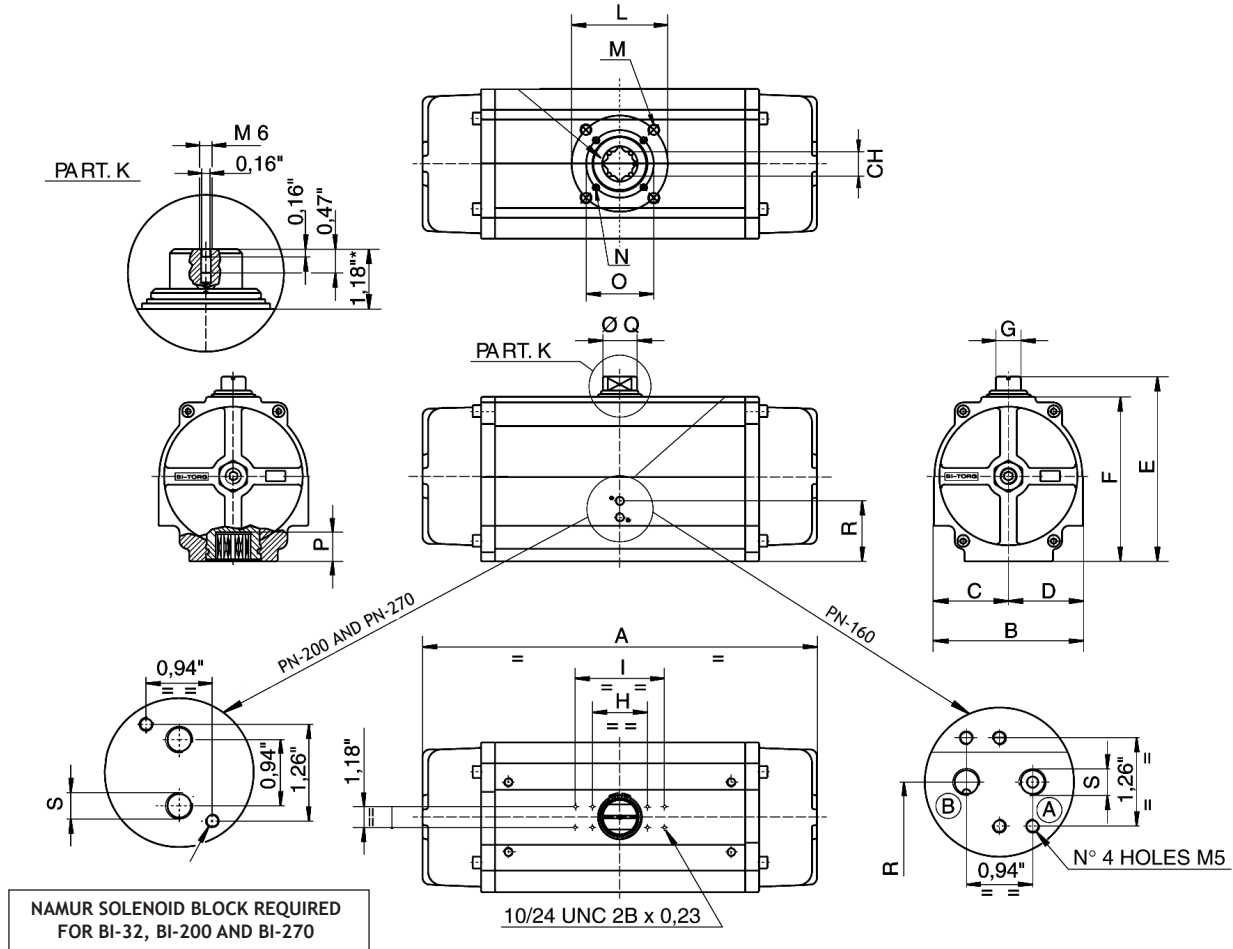


# BI-TORQ PN-SERIES DIMENSIONAL DATA

## MODEL PN-32DA



## MODELS PN-160 THROUGH 270



## DIMENSIONAL DATA

	ISO 5211	CH	A	B	C	D	E	F	G	H	I	L	M (UNC)	N (UNC)	O	P	Q	R	S (NPT)	T	U	V	W	Z	Y	X
BI-160	F10-12	1.06	20.55	7.36	3.94	3.94	8.58	7.40	1.18	3.15	5.12	4.92	1/2-13 X 0.71	3/8-16 X 0.59	4.72	1.26	1.38	3.21	1/4"	6.29	1.77	2.20	2.50	1.42	1.06	1.89
BI-200	F14	1.42	22.64	8.58	4.29	4.29	10.59	9.41	1.42	3.15	5.12	5.51	5/8-11 x 0.98	---	---	1.54	1.97	3.46	1/4"	7.48	2.03	2.52	3.11	1.90	1.41	1.52
BI-270	F16	1.81*	26.46	11.42	5.71	5.71	14.21	13.03	1.42	3.15	5.12	6.50	3/4-10 X 1.18	---	---	2.05	1.97	4.76	1/4"	9.05	2.68	3.11	4.37	2.37	1.81	3.23

\*SQUARE AT 45° ONLY