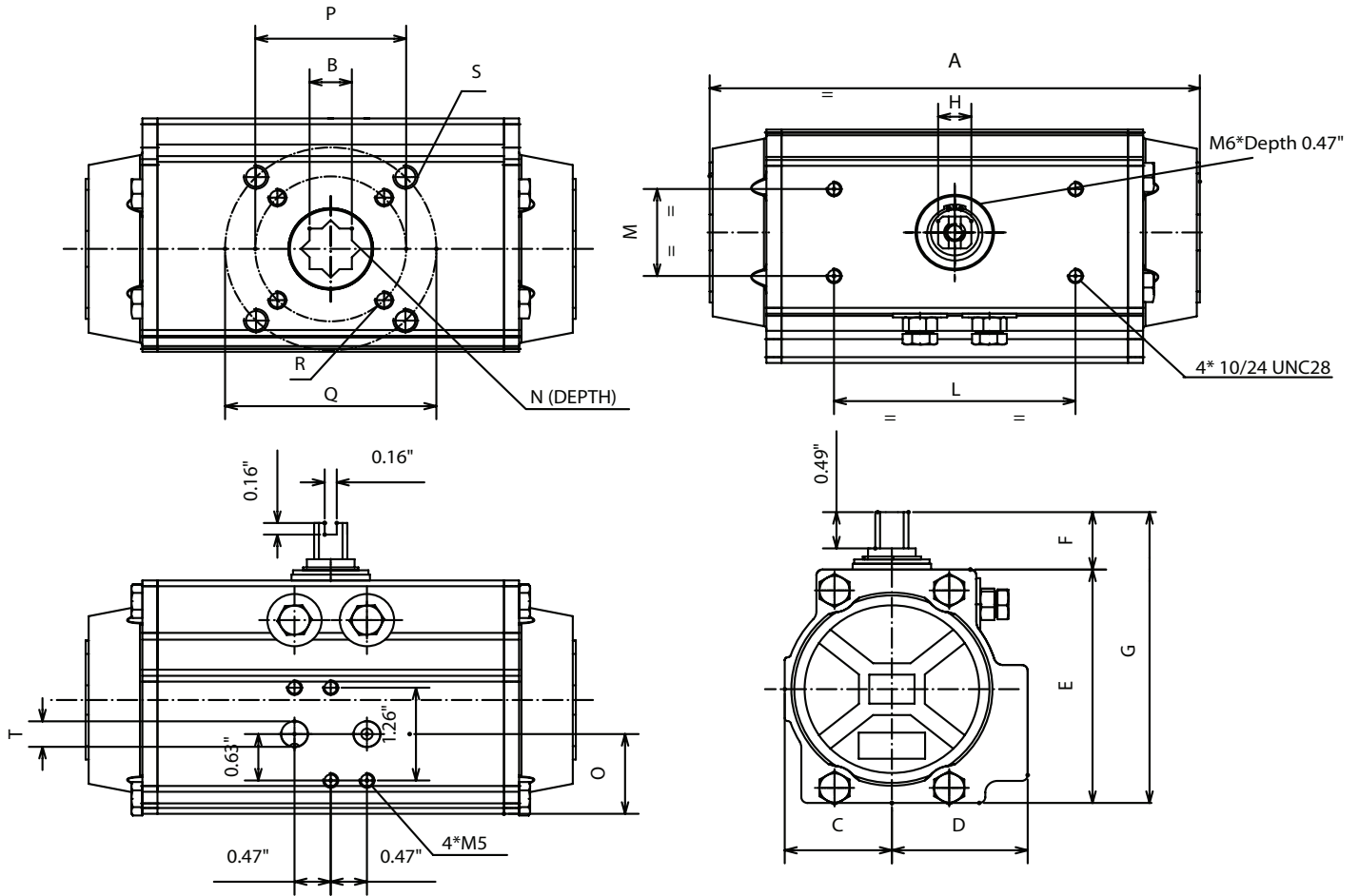


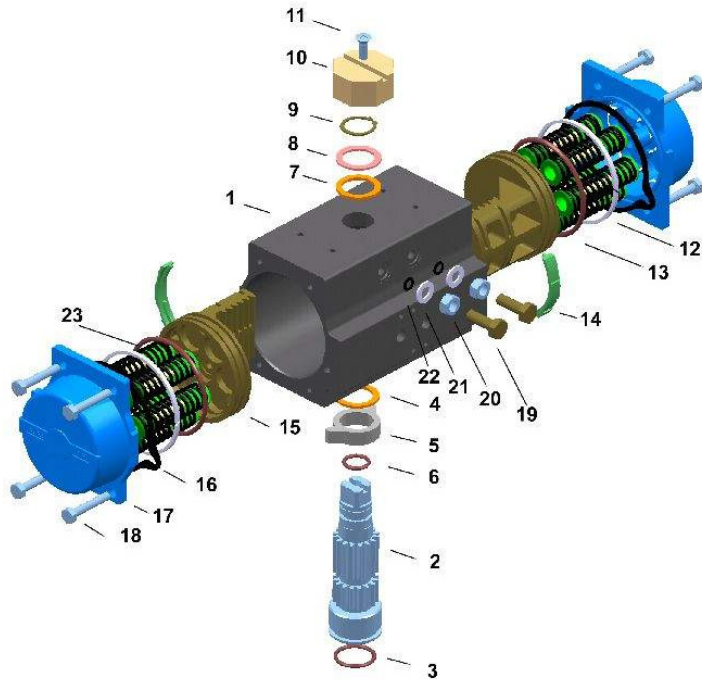
# BI-TORQ PN-SERIES DIMENSIONAL DATA

FOR ACTUATOR MODEL PN-161 THRU PN-271



## DIMENSIONAL DATA

	ISO 5211	A	B	C	D	E	F	G	H	K	L	M	N	O	P	Q	R (UNC)	S (UNC)	T (NPT)
PN-161	F10-F12	16.93	1.06	3.41	3.94	7.56	1.18	8.74	1.06	---	5.12	1.18	1.14	3.29	4.02	4.92	3/8-16*.059	1/2-13*0.71	1/4
PN-181	F14	18.98	1.42	4.02	4.02	8.74	1.18	9.92	1.18	---	5.12	1.18	1.54	2.36	5.51	---	5/8-11*.098	---	1/4
PN-201	F14	20.94	1.42	4.41	4.41	9.61	1.18	10.79	1.18	---	5.12	1.18	1.54	2.48	5.51	---	5/8-11*.098	---	1/4
PN-241	F16	26.06	1.81	5.24	5.24	11.34	1.18	12.52	1.18	---	5.12	1.18	1.93	3.35	6.50	---	3/4-10*1.18	---	1/4
PN-271	F16	28.74	1.81	6.02	6.02	12.72	1.18	13.90	1.18	---	5.12	1.18	1.93	4.17	6.50	---	3/4-10*1.18	---	1/4



PART NUMBER	DESCRIPTION	MATERIAL
1	BODY	EXTRUDED ALUMINUM
2	ANTI-BLOWOUT PINION	NICKEL PLATED STEEL
3	LOWER PINION O-RING*	NBR70 OR VITON
4	PINION SPACER RING	POM
5	STOP ADJUSTMENT	STAINLESS STEEL
6	TOP PINION O-RING	NBR70 OR VITON
7	CAM SPACER RING*	POM
8	PINION WASHER	STAINLESS STEEL
9	PINION SNAP RING	STAINLESS STEEL
10	POSITION INDICATOR	NYLON
11	INDICATOR BOLT	NYLON+SS
12	ANTI-FRICTION RING*	POM
13	PISTON O-RING*	NBR70 OR VITON
14	PISTON THRUST BLOCK	POM
15	PISTON	DIE CAST ALUMINUM
16	END CAP SEALS	NBR70 OR VITON
17	END CAP	DIE CAST ALUMINUM
18	END CAP BOLTS	STAINLESS STEEL
19	STOP BOLT	STAINLESS STEEL
20	STOP NUT	STAINLESS STEEL
21	STOP BOLT WASHER	STAINLESS STEEL
22	STOP BOLT O-RING*	NBR70 OR VITON
23	SPRING SETS	ZINC COATED STEEL

### DOUBLE ACTING TORQUE

MODEL	40PSI	50PSI	60PSI	70PSI	80PSI	90PSI	100PSI	115PSI
PN-161DA	2513	3009	4018	5018	5523	6027	7027	8036
PN-181DA	3390	4262	5425	6780	7452	8134	9488	10842
PN-201DA	4708	5846	7532	9417	10356	11294	13179	15064
PN-241DA	10267	12325	16436	20543	22596	24650	28757	32863
PN-271DA	13719	16462	21950	27438	30182	32926	38422	43910

### SPRING RETURN TORQUE

MODEL	SPRING SET	SPRING TORQUE START-END	40PSI AIR TORQUE START-END	60PSI AIR TORQUE START-END	70PSI AIR TORQUE START-END	80PSI AIR TORQUE START-END	90PSI AIR TORQUE START-END	100PSI AIR TORQUE START-END	115PSI AIR TORQUE START-END
PN-161SR	03	1761-1195	1823-1247		2823-2257	3832-3257	4238-3761		
	04	2354-1593		2425-1663	3434-2080	3928-3168	4434-3673	5443-4673	
	05	2938-1983			3035-2080	3540-2584	4036-3089	5045-4089	6045-5089
	06	3531-2380				3142-1991	3637-2496	4646-3505	5647-4505
PN-181SR	03	2514-1681	2390-1549	3744-2912	5098-4266	5779-4939			
	04	3354-2293		3186-2071	4540-3425	5213-4107	5895-4779	7249-6133	
	05	4195-2796			3982-2584	4655-3266	5337-3939	6691-5302	8045-6656
PN-201SR	03	3345-2257	3390-2301	5275-4186	7152-6072	8099-7010			
	04	4461-3009							
	05	5576-3762		4523-3071	6399-4956	7346-5895	8284-6833	10170-8718	
PN-241SR	03	7452-4983	7346-4868	11453-8975	15560-13082	17613-15135			
	04	9939-6638		9798-6488	13905-10603	15958-12657	18012-14710	2219-18817	
	05	12427-8293		8143-4010	12250-8116	14303-10169	16357-1223	20463-16330	24570-20437
PN-271SR	03	10479-6992	10338-6850	16117-12630	21888-18401	24783-21295			
	04	13976-9329		13781-9134	19560-14905	22446-17799	25340-20685	31111-26464	
	05	17472-11657		11453-5638	17233-11418	20118-14303	23004-17188	28783-22968	34563-28748
	06	20968-13984			14896-7922	17790-10807	20676-13701	26455-19472	32226-25252

